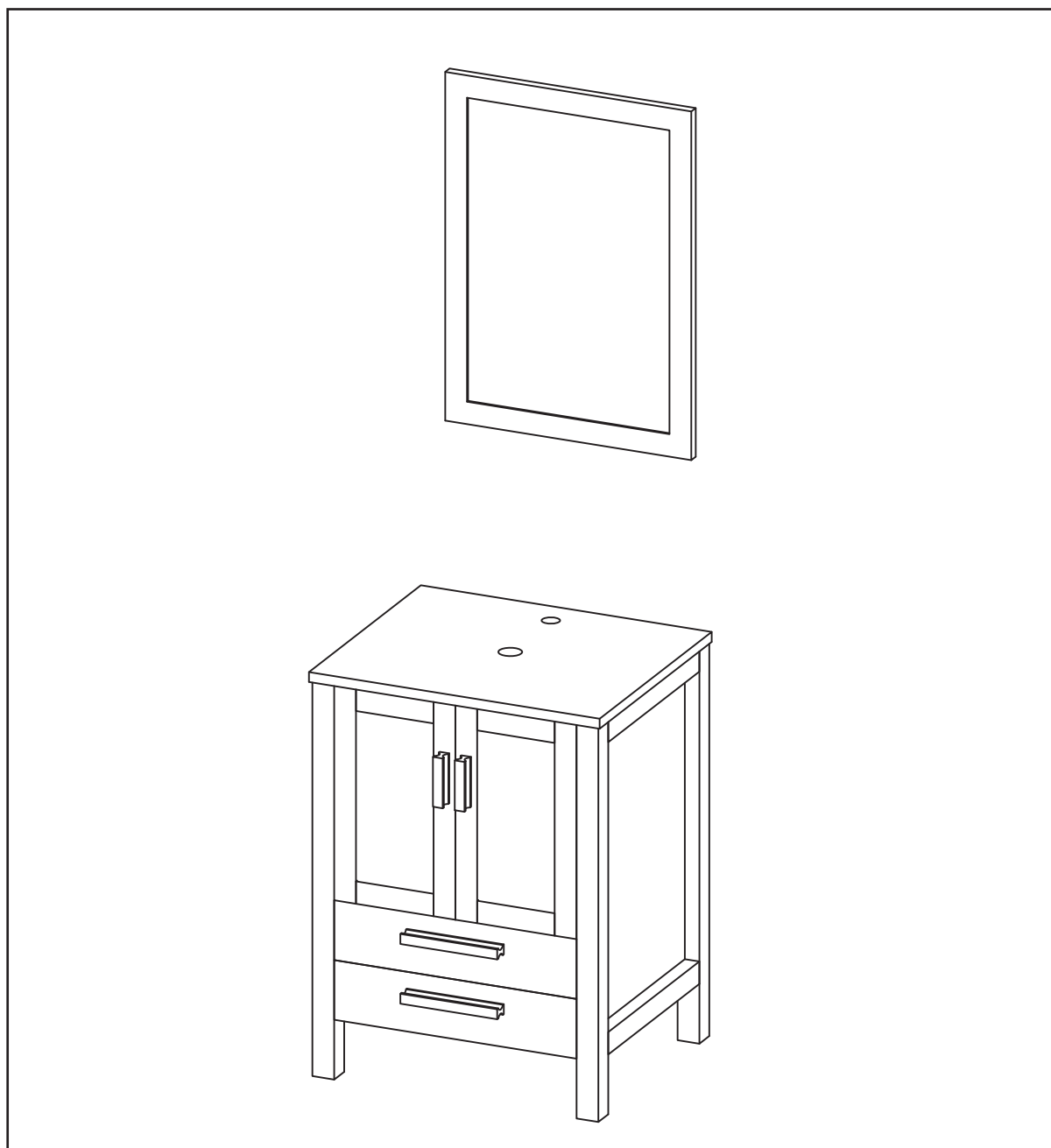
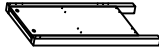

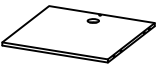
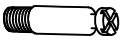

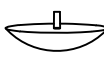


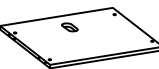


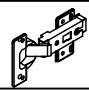


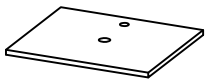







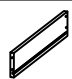

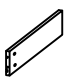





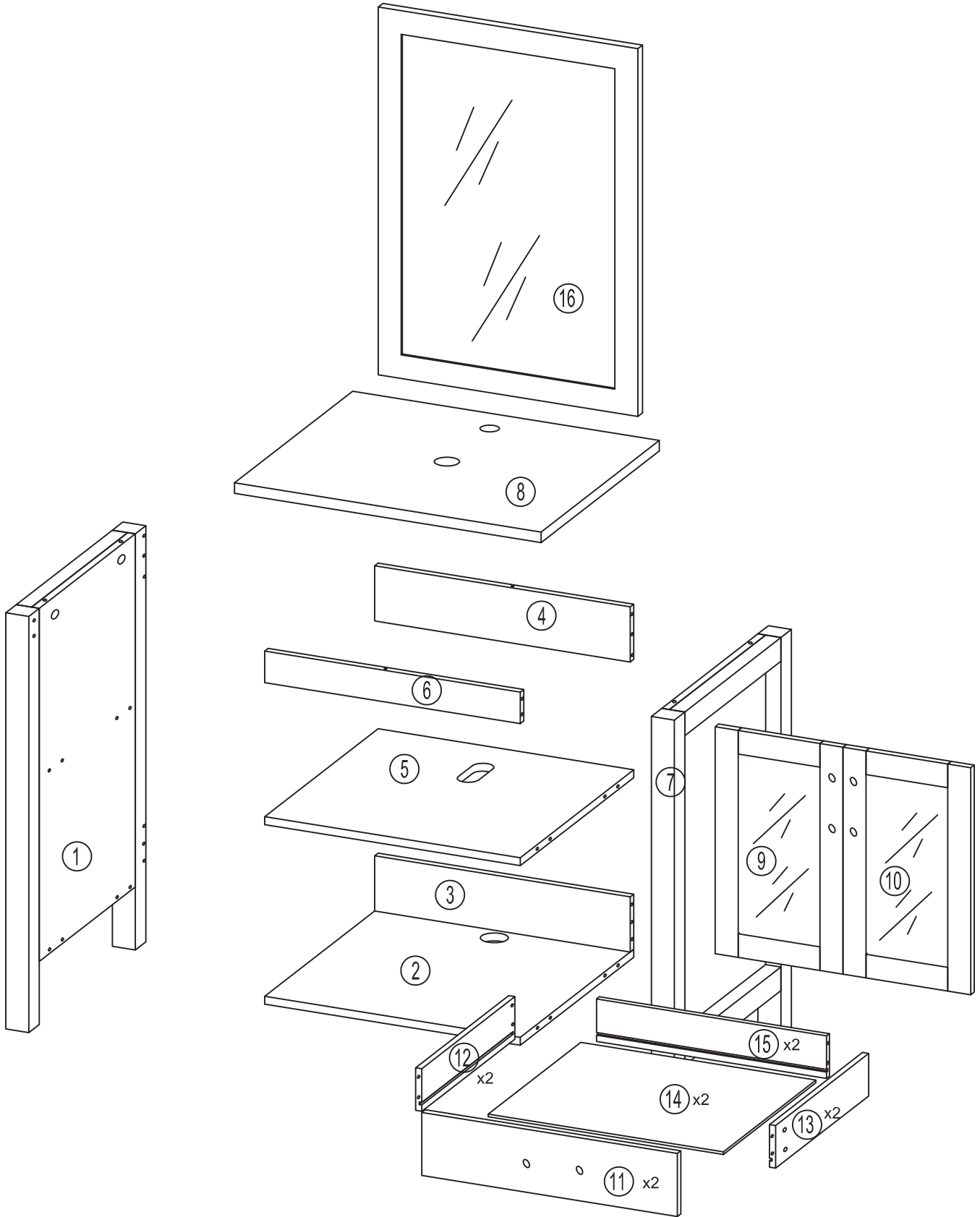
## Bathroom Vanity



🌐 Website: <https://www.elecwish.com>  
✉ Customer Service Email: [aftersales@elecwish.com](mailto:aftersales@elecwish.com)  
☎ Customer Service Phone: #9519343021  
ⓘ Please don't worry about the after-sale service,  
you can contact us at any time for any issue.

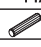

# Package list

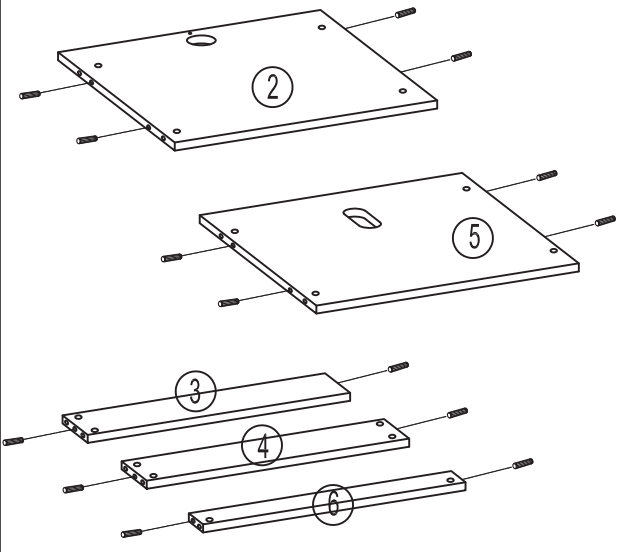
Parts list			Parts list		
NO.	Description	QTY	NO.	Hardware list	QTY
1		1	A	 CAM LOCK	41
2		1	B	 CAM SCREW	41
3		1	C	 CAM LOCK COVER	41
4		1	D	 WOODEN DOWEL	14
5		1	E	 SCREW	48
6		1	F		4
7		1	G		8
8		1	H		2
9		1	I		2
10		1	J		2
11		2	K		2
12		2	L		2
13		2			
14		2			
15		2			
16		1			



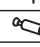
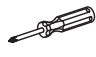
# Installation Manuel

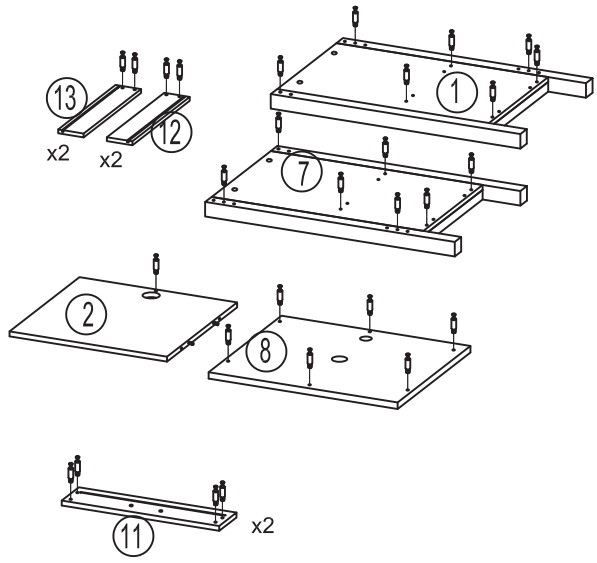
**Step 1**

HARDWARE LIST	
D	14 
	




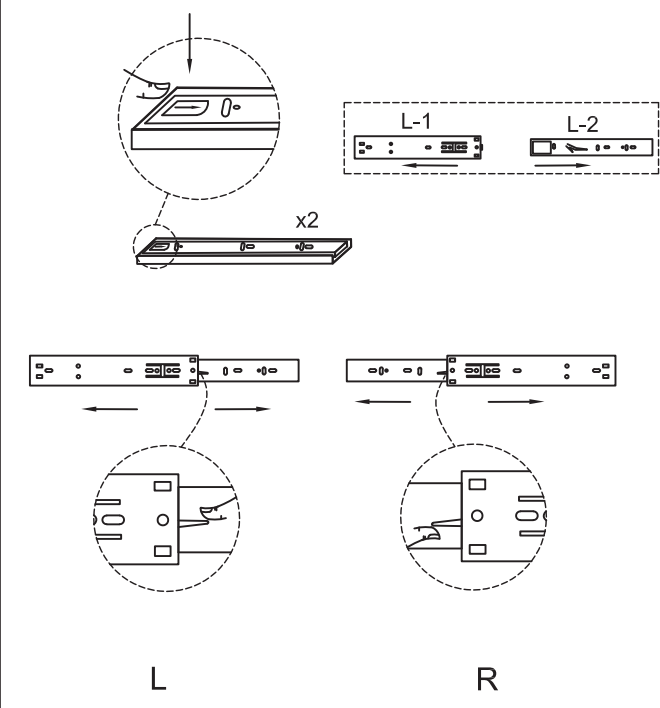
**Step 2**

HARDWARE LIST	
B	41 
	


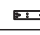
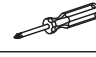


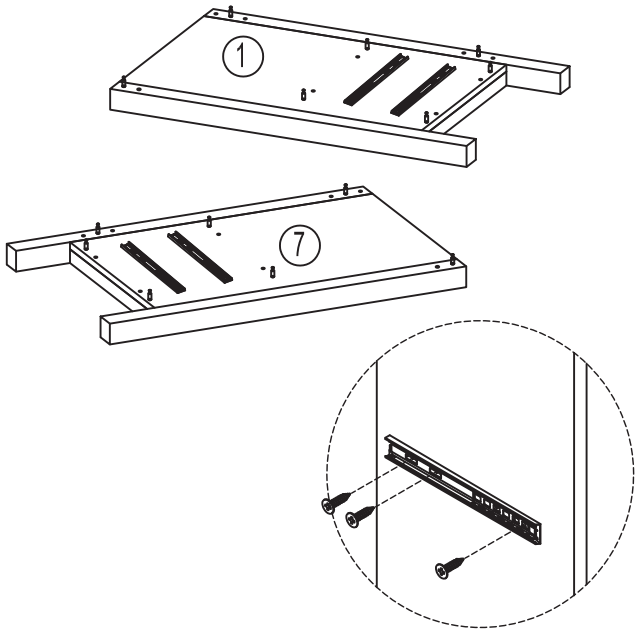
**Step 3**

HARDWARE LIST	
L	





**Step 4**


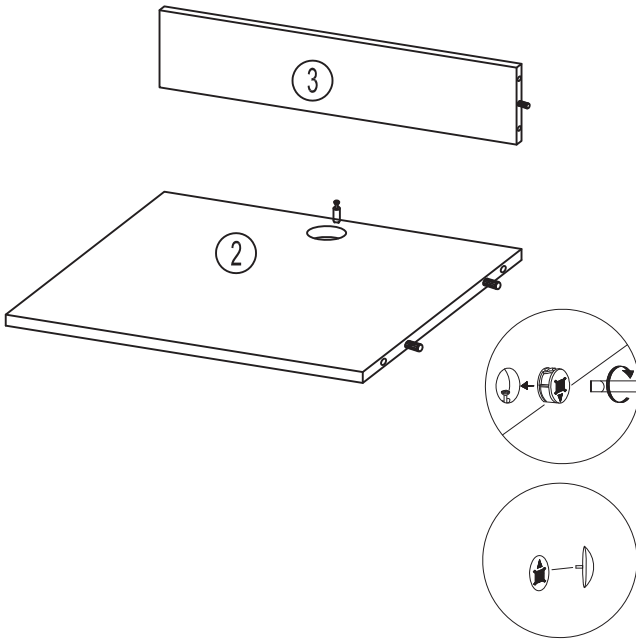
HARDWARE LIST	
E	12 
L-1	4 
	





# Installation Manuel


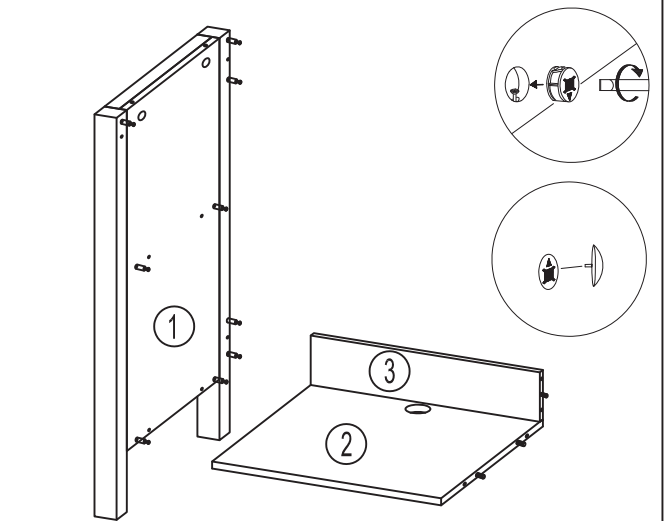
Step 5

HARDWARE LIST		
A		1
C		1







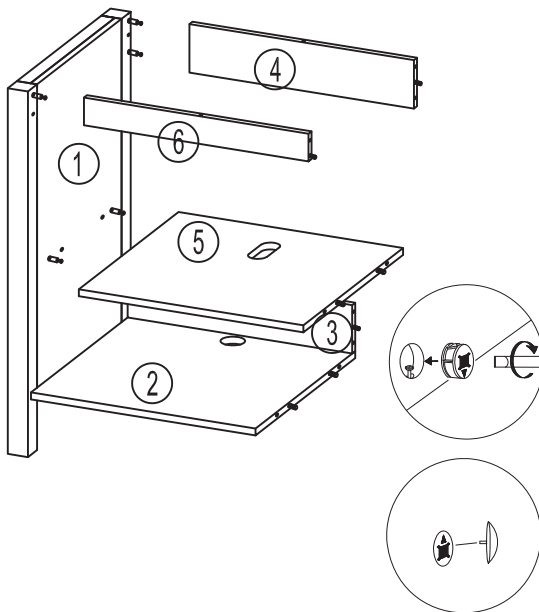
Step 6

HARDWARE LIST		
A		4
C		4







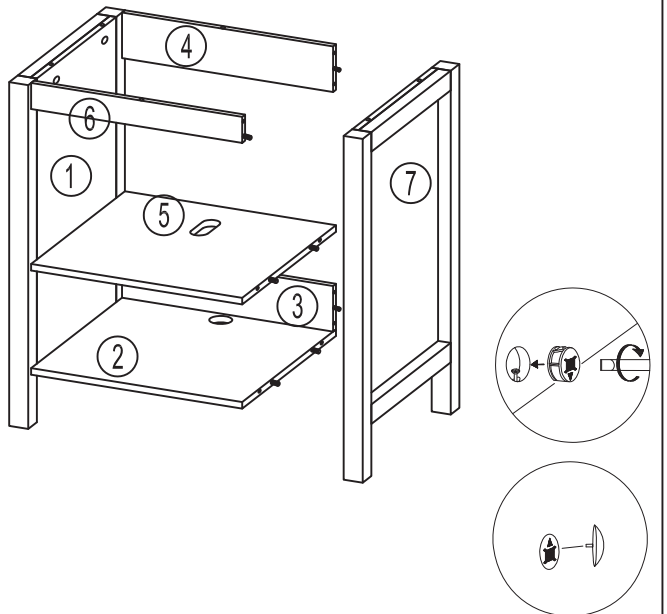
Step 7

HARDWARE LIST		
A		5
C		5




Step 8

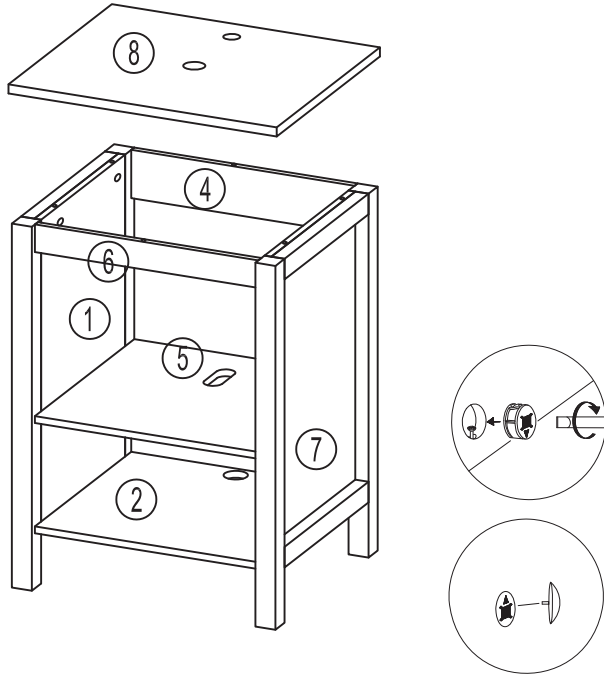
HARDWARE LIST		
A		9
C		9


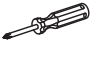



# Installation Manuel

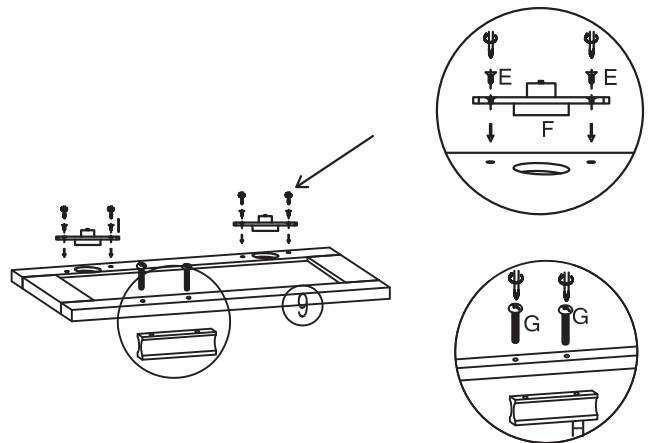
Step 9

HARDWARE LIST			
A		6	
C		6	








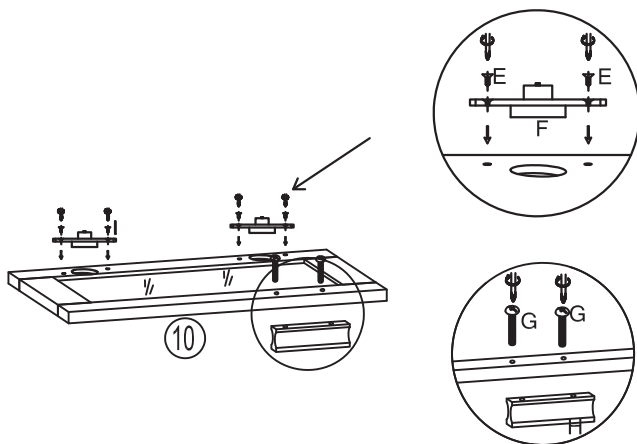
Step 10

HARDWARE LIST			
E		4	
F		2	
H		1	
G		2	


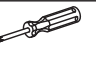


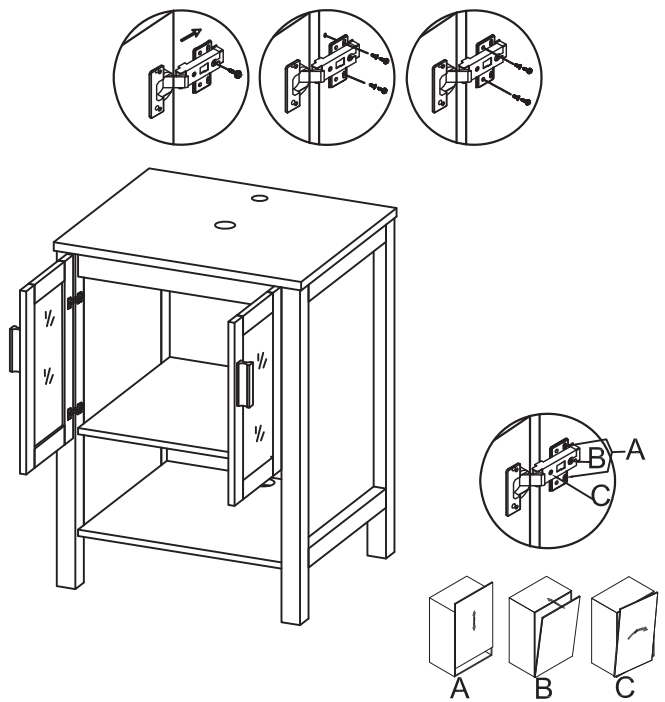
Step 11

HARDWARE LIST			
E		4	
F		2	
H		1	
G		2	





Step 12

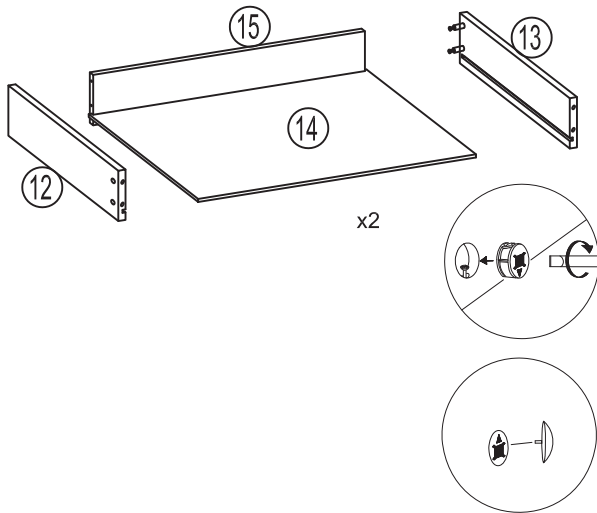
HARDWARE LIST			
E		16	





# Installation Manuel

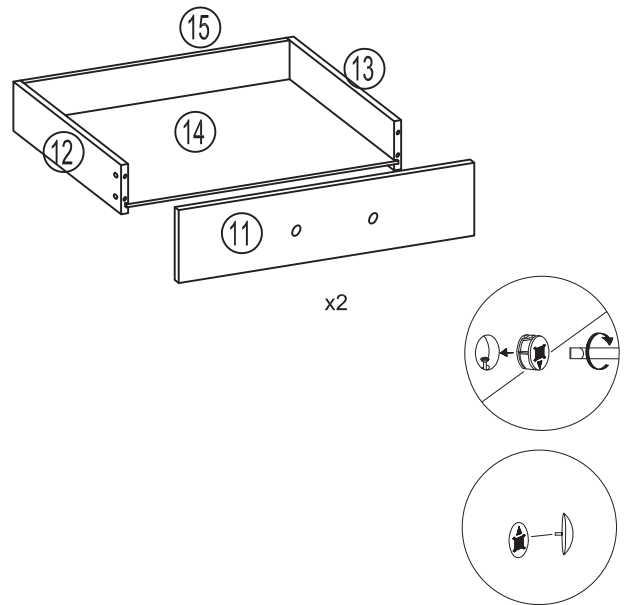
Step 13

HARDWARE LIST		
A		8
C		8





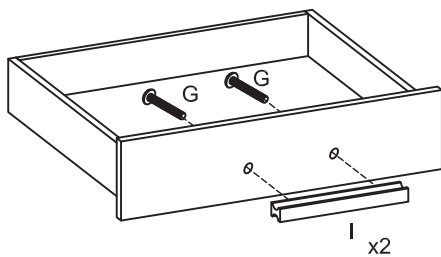
Step 14

HARDWARE LIST		
A		8
C		8





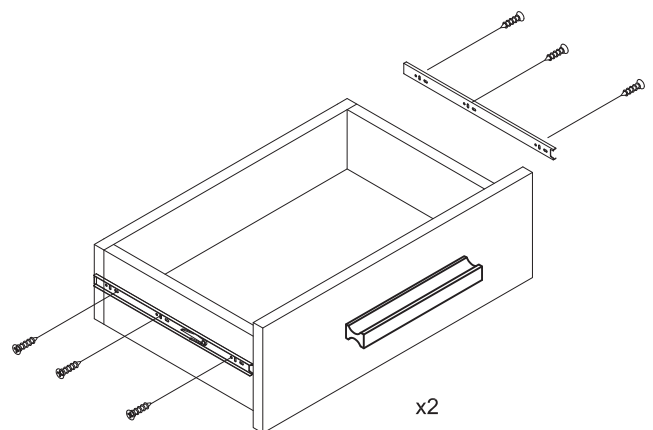
Step 15

HARDWARE LIST		
G		4
I		2



Step 16

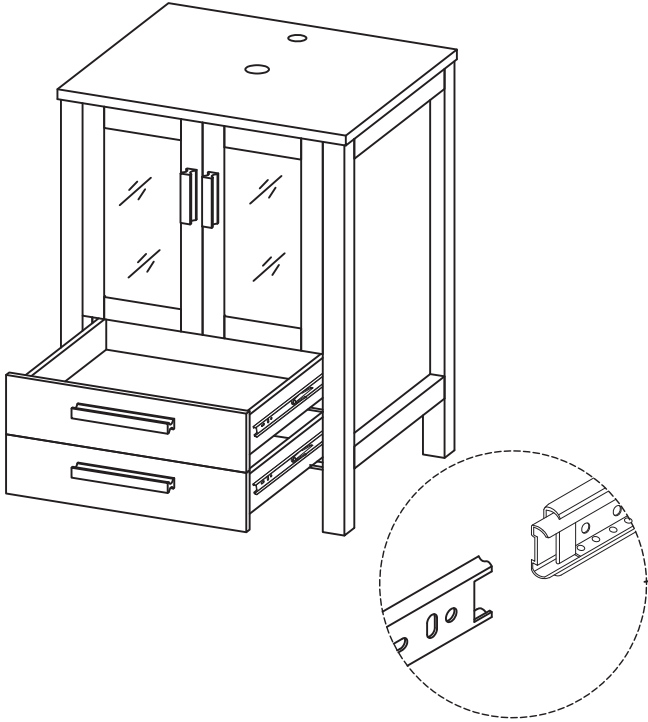
HARDWARE LIST		
E		12
L-2		4



# Installation Manuel


Step 17

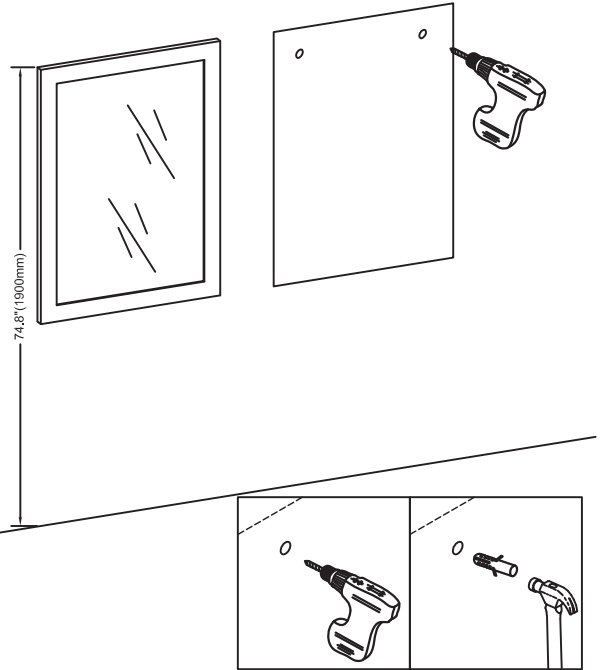
HARDWARE LIST

Step 18

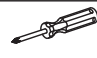
HARDWARE LIST

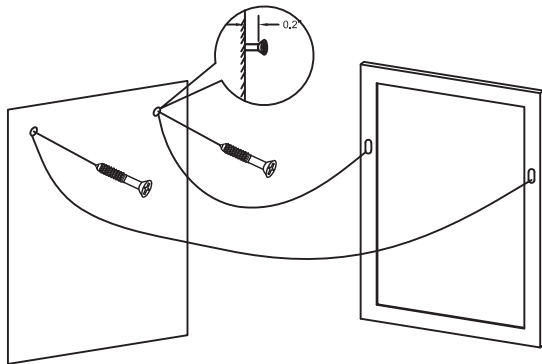
K		2



Step 19

HARDWARE LIST

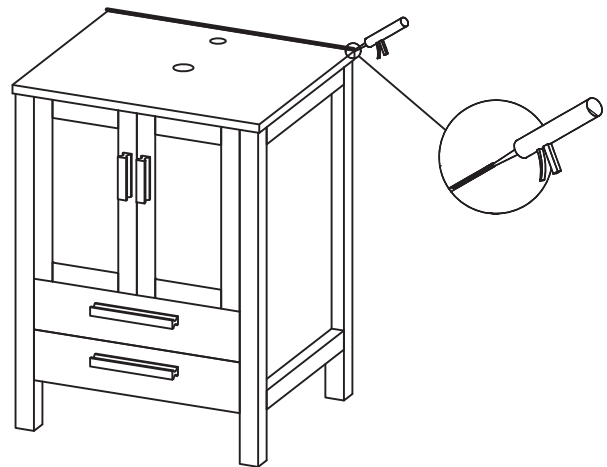
J		2	



Step 20

HARDWARE LIST





# Installation Manuel

Step 21

HARDWARE LIST	

