





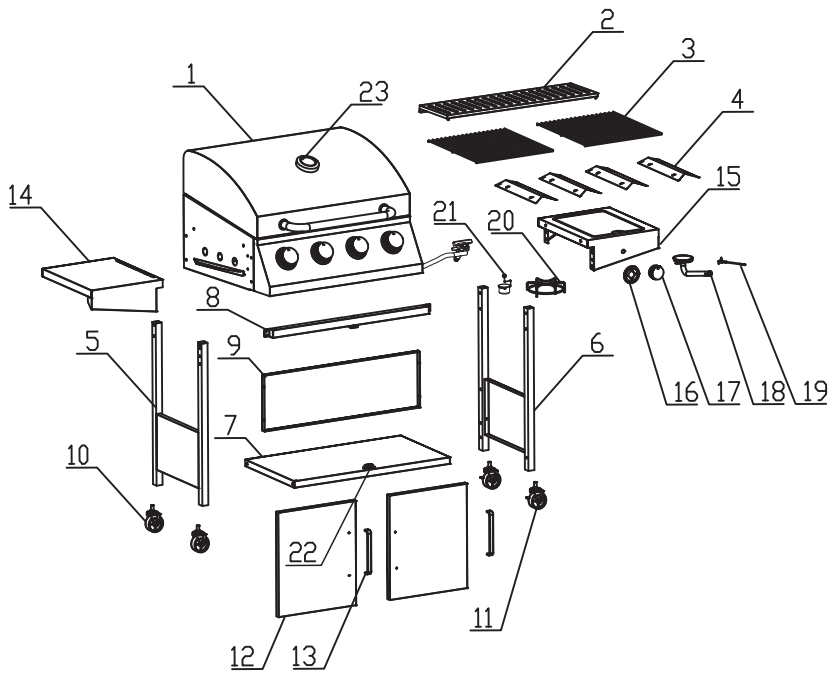


INSTRUCTION MANUAL

GAS GRILL YF-01JY SERIAL

		
YF-01JY04-A	YF-01JY05-A	YF-01JY06-A
		
YF-01JY04-B	YF-01JY05-B	YF-01JY06-B









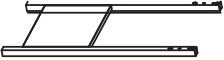












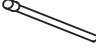












(Pic. per 4 burners+1 side burner)



SAFETY INSTRUCTIONS

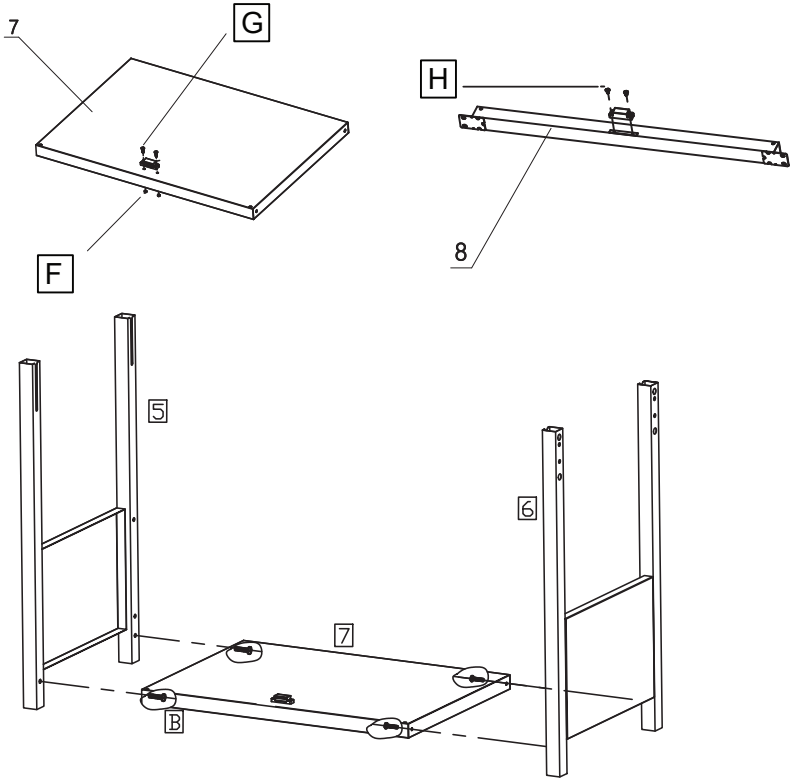
1. Read the instruction manual carefully before use and keep it for future reference. Failure to comply with the instructions can result in death, serious injury or property damage.
2. For outdoor use ONLY! Do not use indoors.
3. Do not use below ground level.
4. The grill and hood can get very hot. Keep small children, elderly people and animals away from the gas grill. Use of an insulated grill glove is strongly recommended to prevent injury.
5. Do not move the product while it is alight or still hot.
6. Turn off the gas supply at the gas cylinder when the grill is not in use and after use.
7. Any modification of the product, misuse or failure to follow the instructions may be dangerous and will void the warranty.
8. Inspect your gas grill annually for leaks. Ensure the hose connections are tight and leak test them each time you reconnect the gas cylinder.
9. Do not use the gas grill within 1 meter of combustible materials or surfaces.
10. LP gas cylinders should not be placed directly underneath the grill.
11. Open the hood of the grill before lighting.
12. Do not leave the grill unattended when it is lit.
13. Be careful when opening the hood, as hot steam may be released when opening.
14. Do not cover the grill until it has completely cooled down.
15. Do not use aerosols near the grill.
16. Do not store or use petrol or other flammable vapours or liquids in the vicinity of this gas grill or any other appliance.
17. If you smell gas, turn off the gas supply at the gas cylinder; extinguish any open flame; open the hood. If the smell of gas persists, cease use immediately.

PART LIST

No.	Pic.	Qty	No.	Pic.	Qty
1		1	17		1
2		1	18		1
3		2	19		1
4		4	20		1
5		1	21		1
6		1	22		2
7		1	23		1
8		1	A	 	9
9		1	B	 	24
10		2	C		2
11		2	D		1
12		2	E		2
13		2	F		2
14		1	G	 	2
15		1	H		2
16		1			

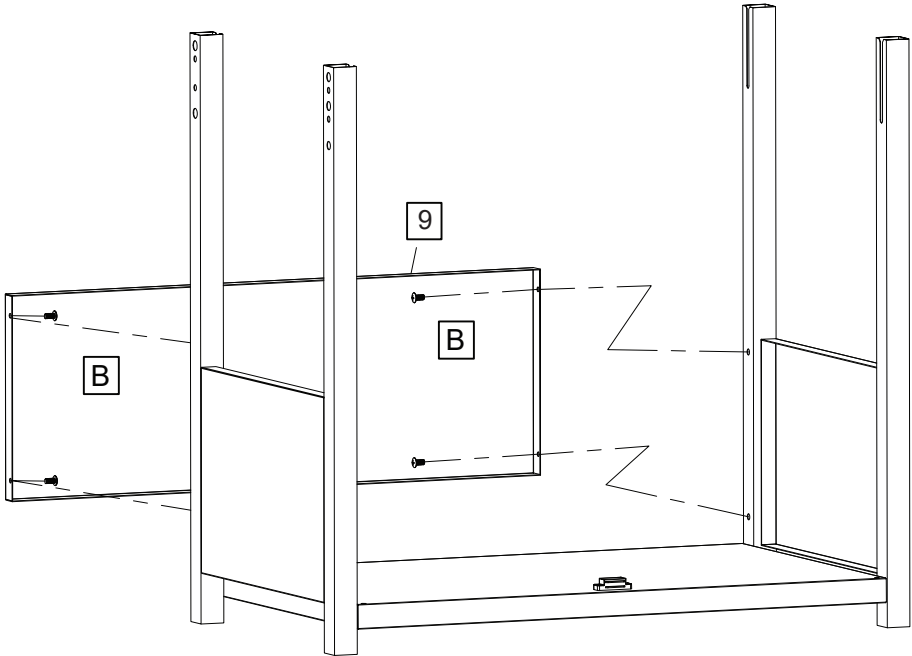
Assembly

Note: Please do not tight the screws and nuts till all assembly steps completed.



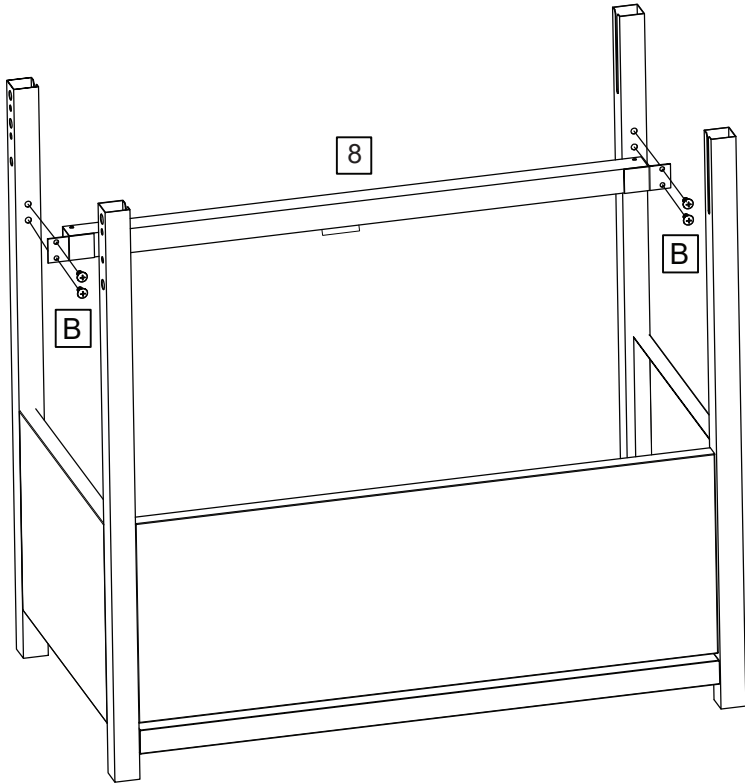
1. Attach the LH and RH frame (5&6) to bottom shelf (7) with 4pcs M5 screws (B).

Assembly



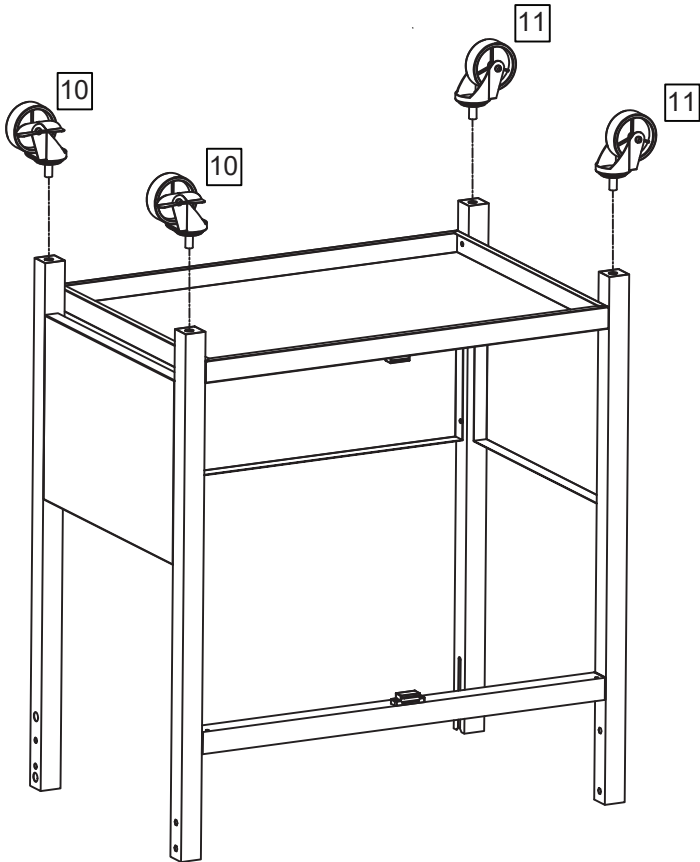
2. Attach the rear panel (9) to the frames with 4 pcs M5 screws (B).

Assembly



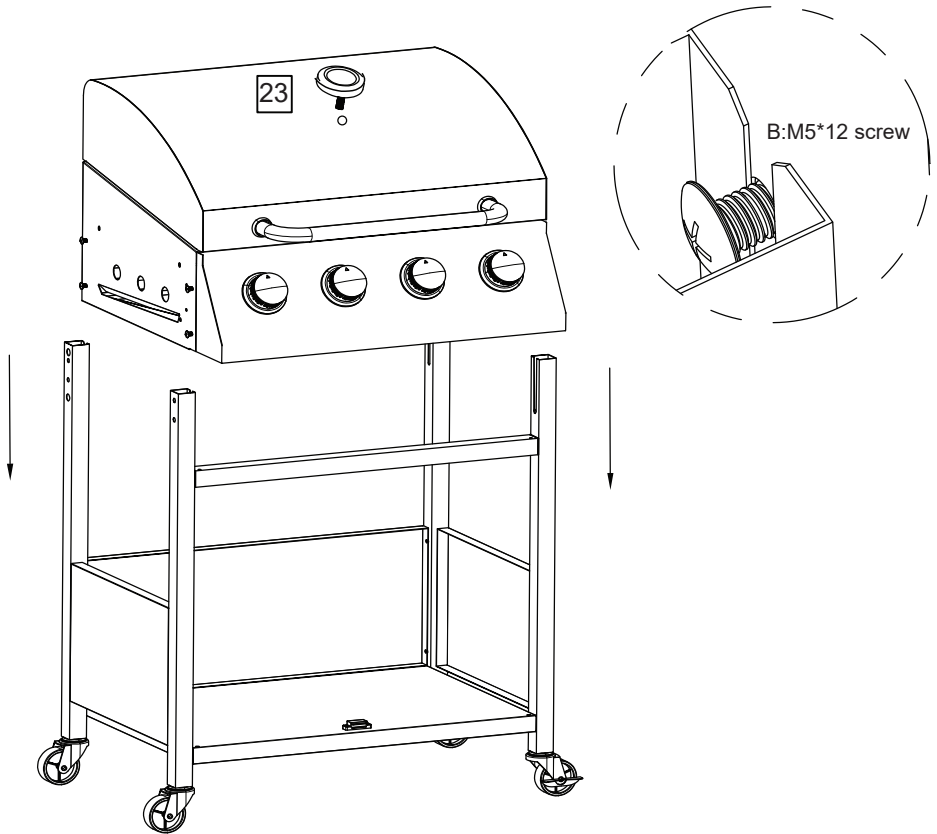
3. Attach the front beam (8) to the front of frames with 4pcs M5 screws (B).

Assembly



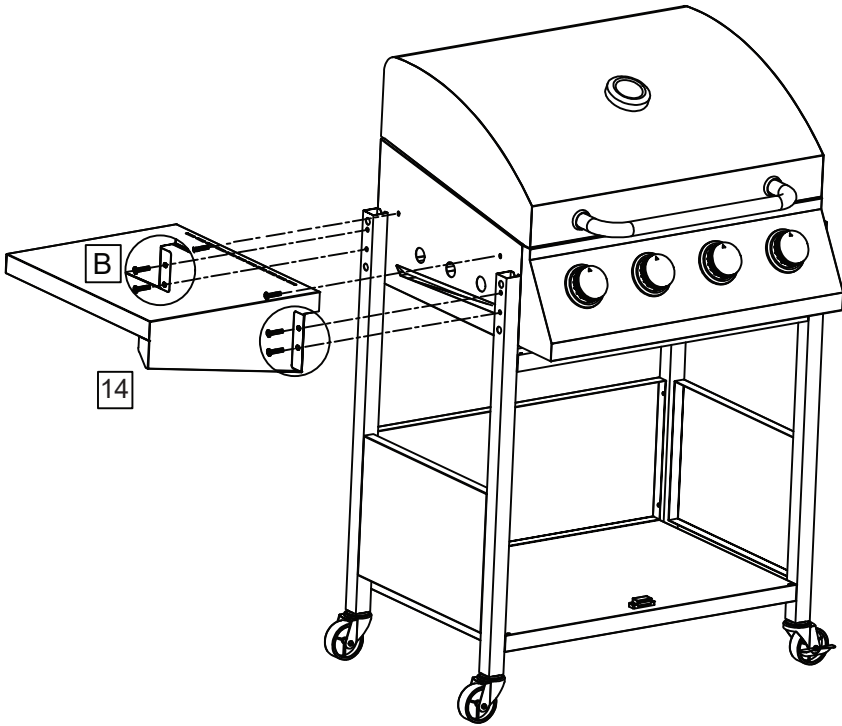
4. Attach the 4pcs wheels (10&11) to the end of frame legs.
Note: the 2pcs wheels with brake (10) must be on the same side.

Assembly



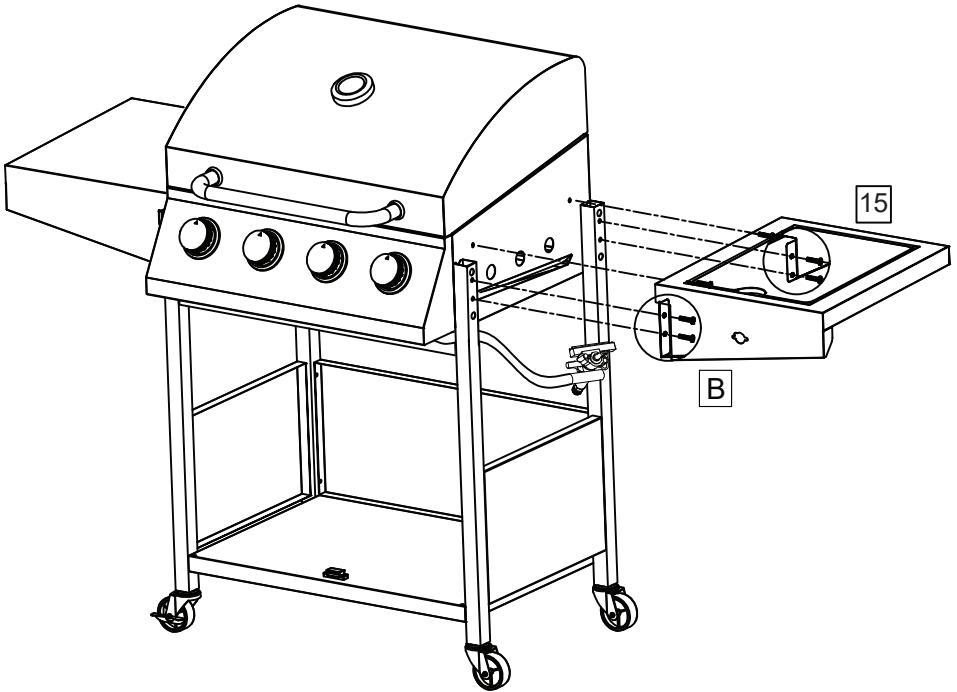
5. Attach 8 * M5 screws (see diagram). Slide the body (1) onto the frame legs, ensuring the screws are held in the slots on the legs (see diagram). Tighten the screws. Fix Thermometer to lid.

Assembly



6. LH side shelf (14) is attached to the body with 6 pcs M5 screws (B).

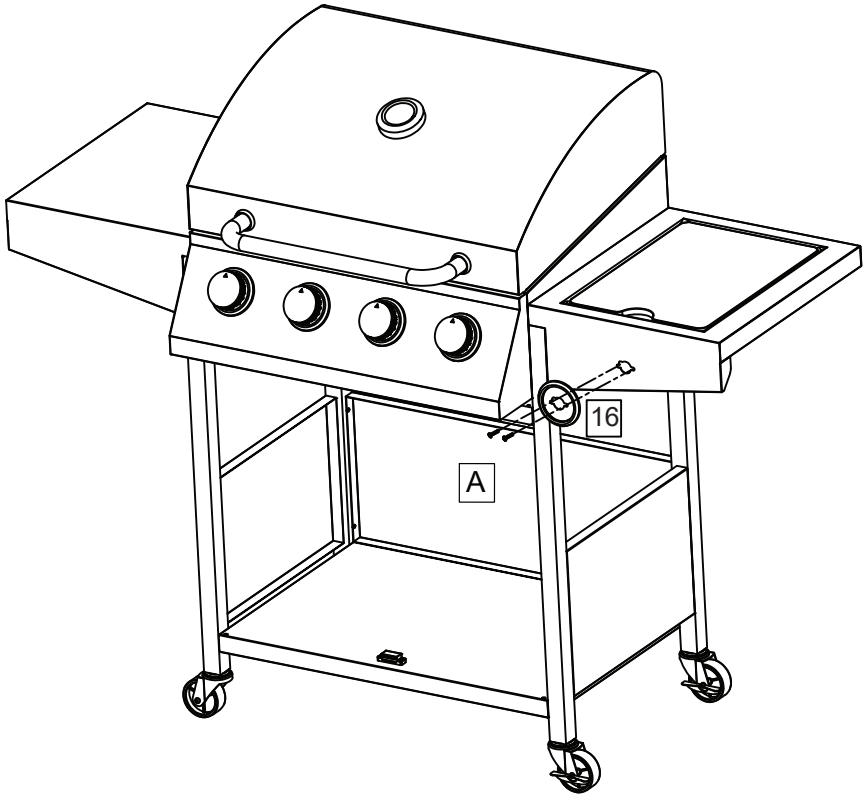
Assembly



7. RH side burner shelf (15) is attached to the body with 6 pcs M5 screws (B).

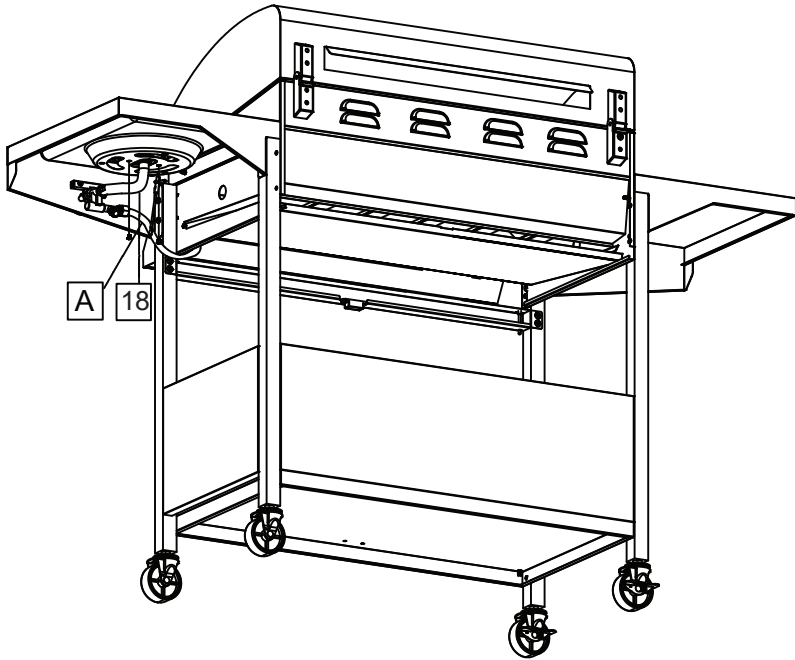
Note: RH side burner shelf for B serial.

Assembly



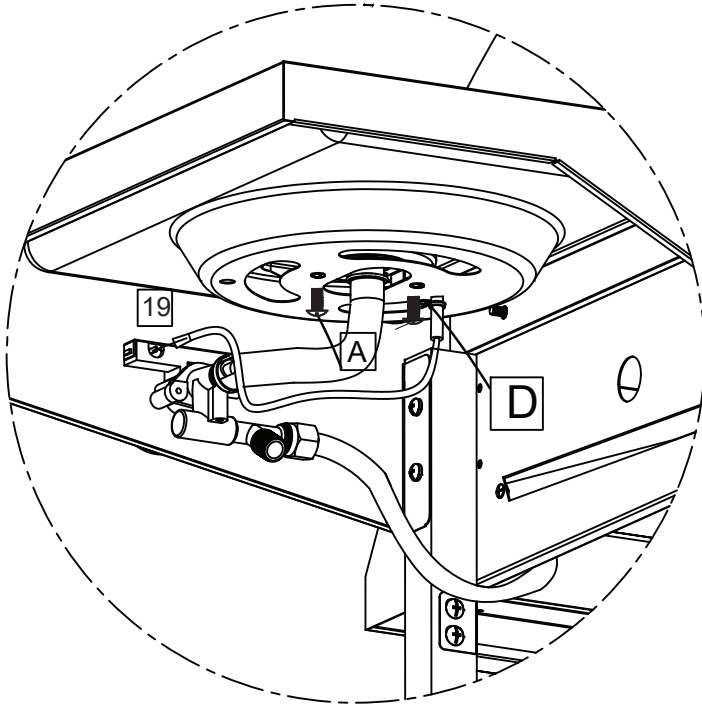
8. Side burner rotary switch base (16), side burner front plate and side burner valve (inside shelf front plate) are attached together with 2pcs M4 countersunk screws (A).
No need for this step for A serial.

Assembly



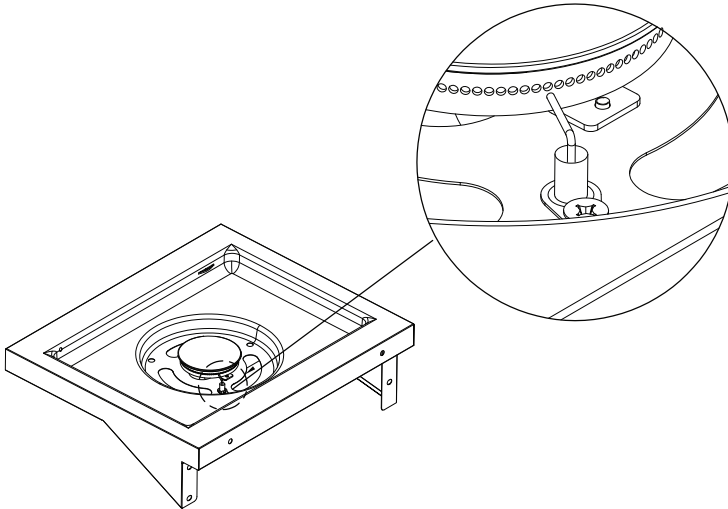
- 9-1. Side burner (18) is attached into the side burner shelf with 2 pcs M4 screws (A). Insert the tube to valve connector.
No need this step for A serial.

Assembly



- 9-2. One end of ignition (19) is attached to the side burner shelf with 1 pc M4 screw (A) and 1pc M4 nut (D). The other end is attached to the valve connector.
No need this step for A serial.

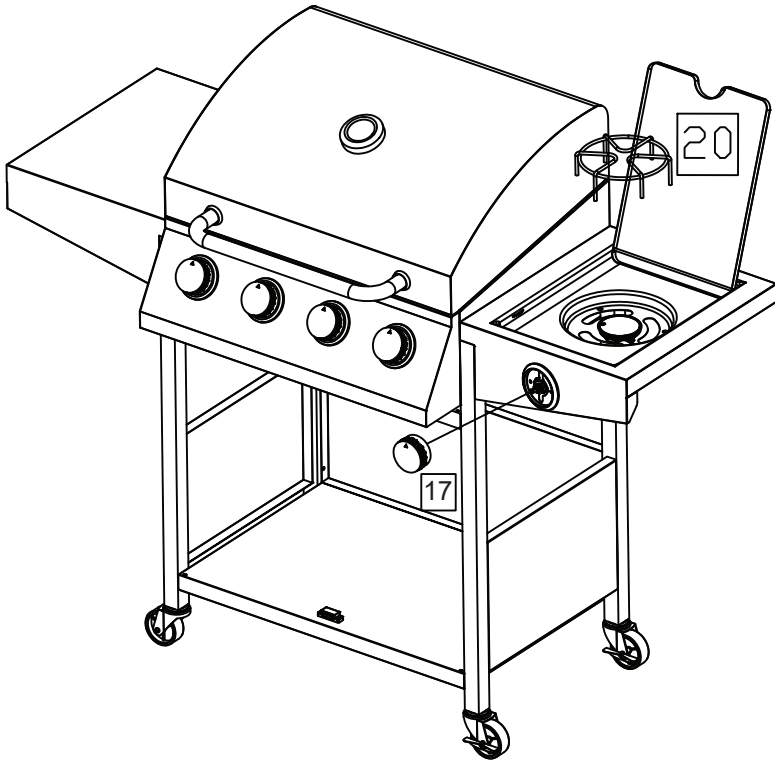
Assembly



NOTICE

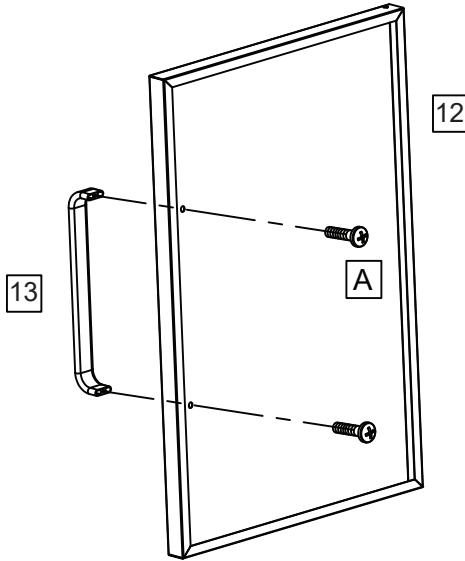
Ensure the ignition needle's head is directed towards one of side burner's gas outlets (see diagram).

Assembly



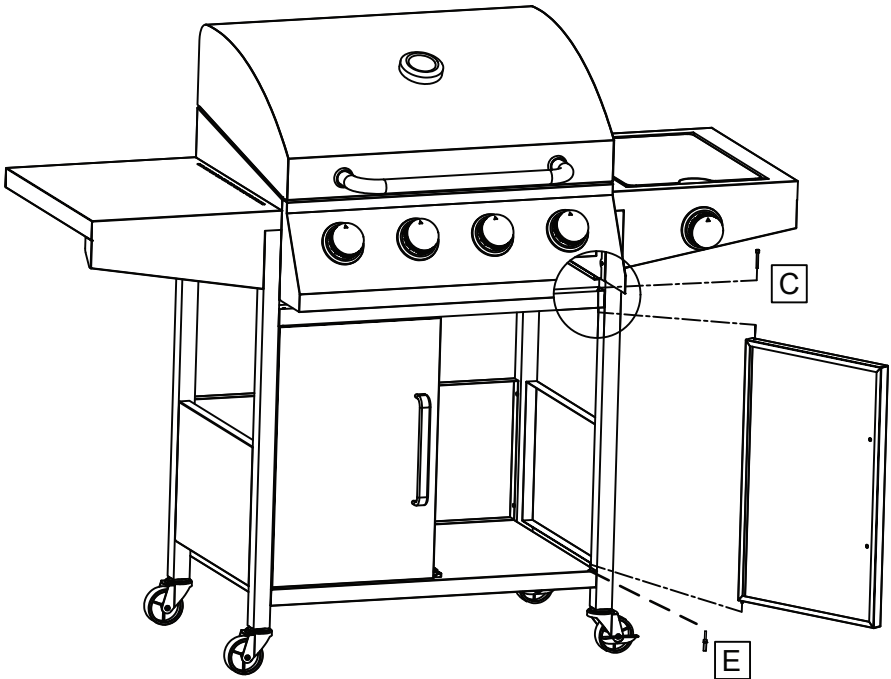
- Control knob (17) is attached to side burner's front plate. Grate (20) is placed on the side burner shelf, with the 3 longer legs positioned into the holes to hold it firmly in place. (Not A series grills).

Assembly



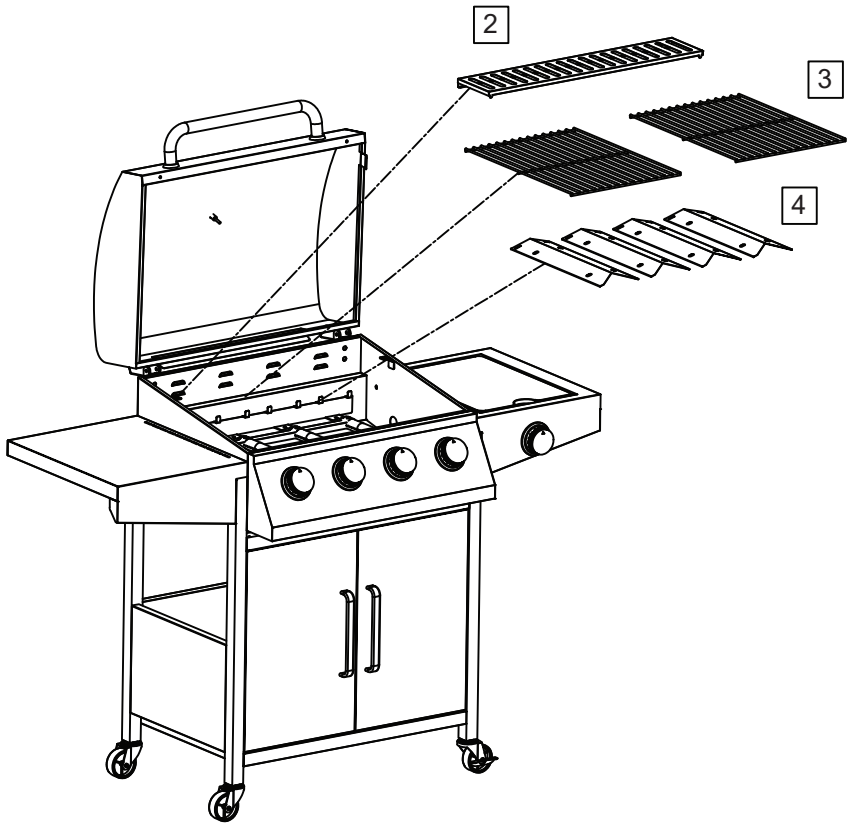
11. Handles (13) are attached to front doors (12) with 4pcs M4 screws (A). Totally 2 pcs doors.

Assembly



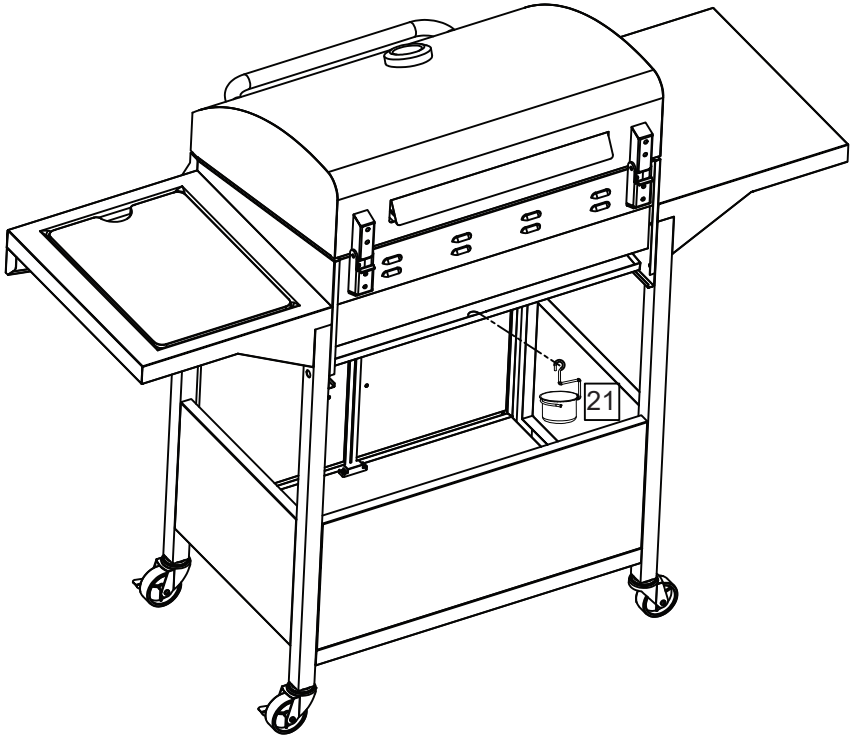
12. Doors are attached to frames' front legs with top and bottom pins (C&E).

Assembly



13. Warming grid (2), cooking grids (3) and heat tents (4) are placed into the body.

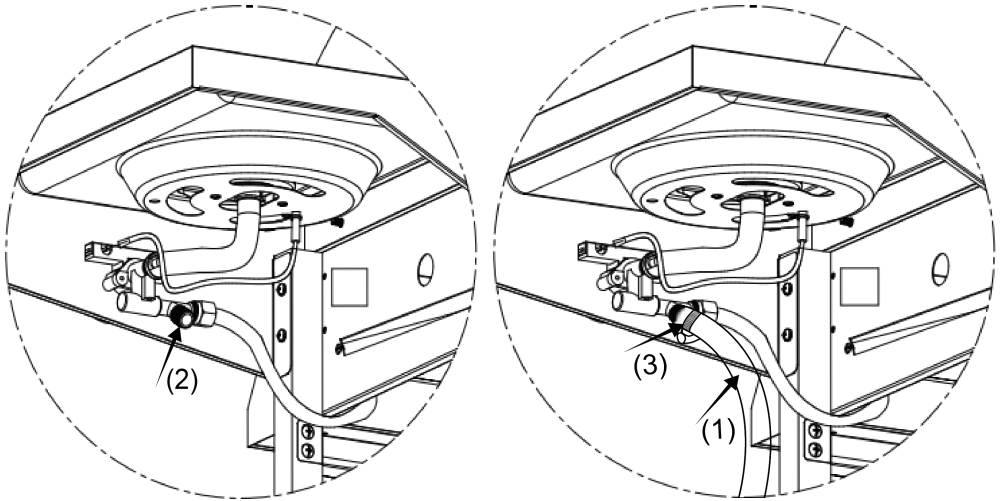
Assembly



14. Oil cup (21) is attached to the oil pan.

Tighten all screws before use
Assembly completed

Assembly



Connecting the hose

Fit the hose (1) from the regulator to the nozzle (2) on the BBQ, lubricate the former with soapy water to facilitate insertion. Use a hose clip (3) to secure the pipe to the nozzle.