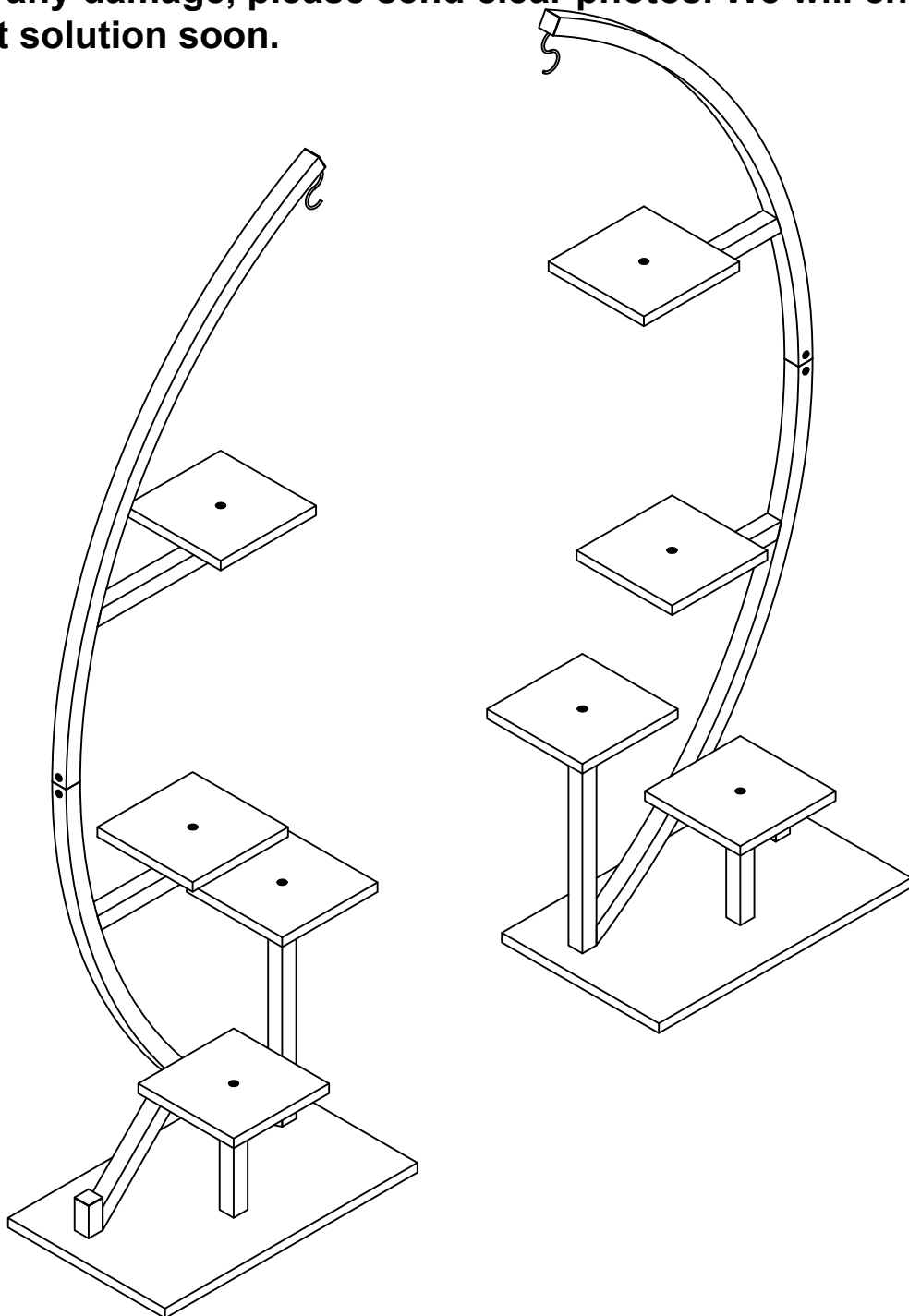


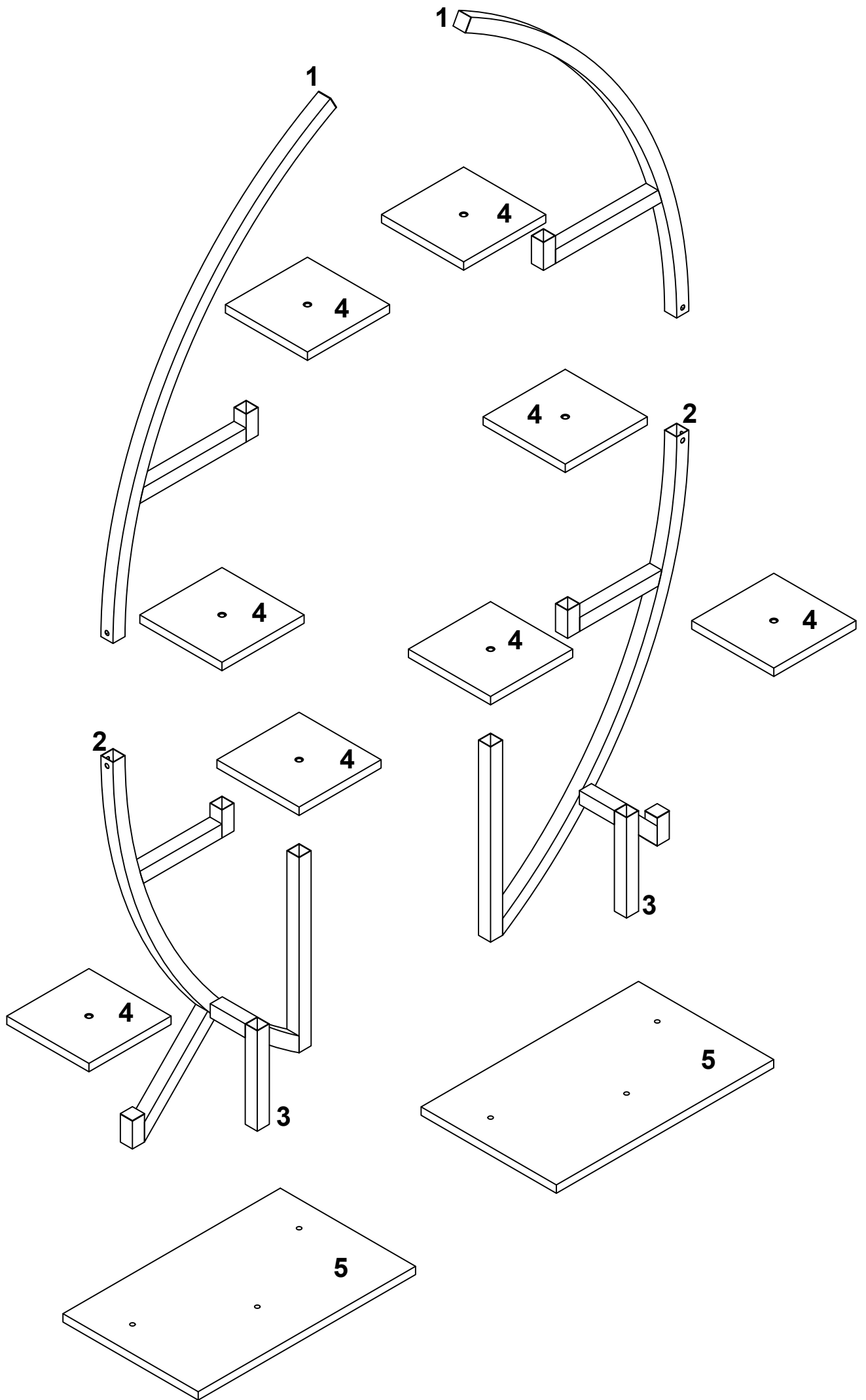
Assembling Instruction

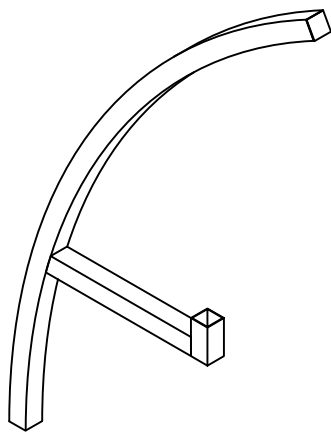
ITEM#:US-GD001

ATTENTION: Do not tighten the screws until all of them are in the right position.

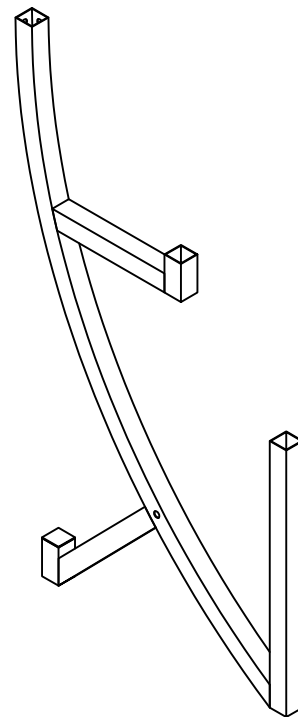
- 1. Please check the manual carefully and make sure you have received all of the parts.**
- 2. If there is any missing part, please let us know the letter of the parts you need.**
- 3. If there is any damage, please send clear photos. We will check and offer you the best solution soon.**



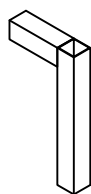




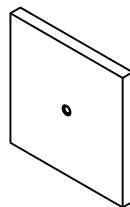
1 *2



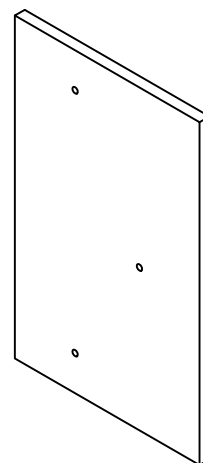
2 *2



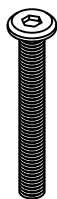
3 *2



4 *8



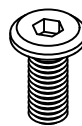
5 *2



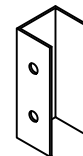
A *2
M6*40



B *14
M6*25



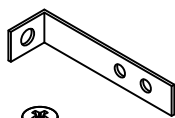
C *8
M6*8



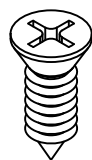
D *2



E *2

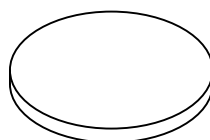


F *2

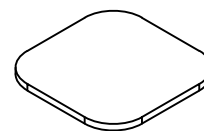


G *4

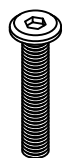
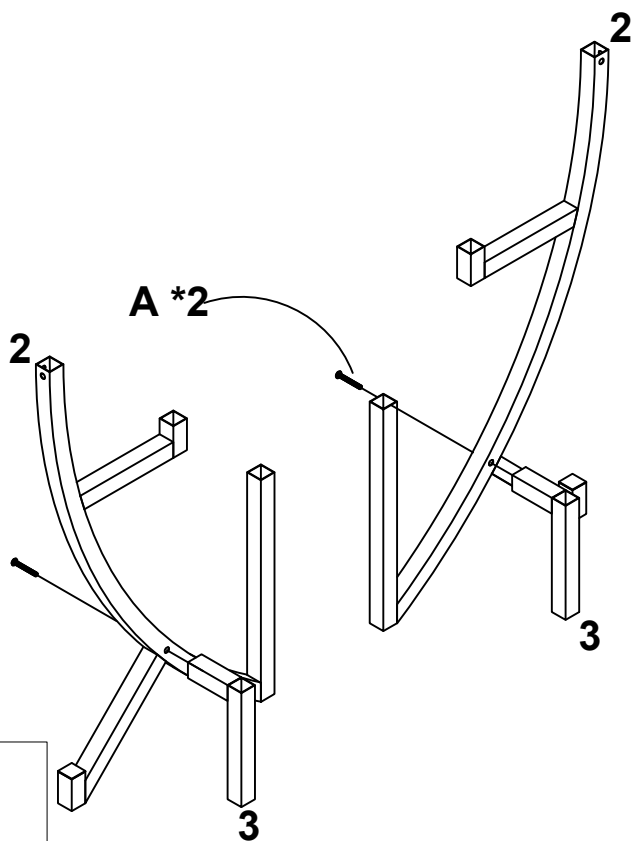
Hole Covers Stickers



Anti-Scratch Foam Pads

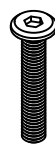
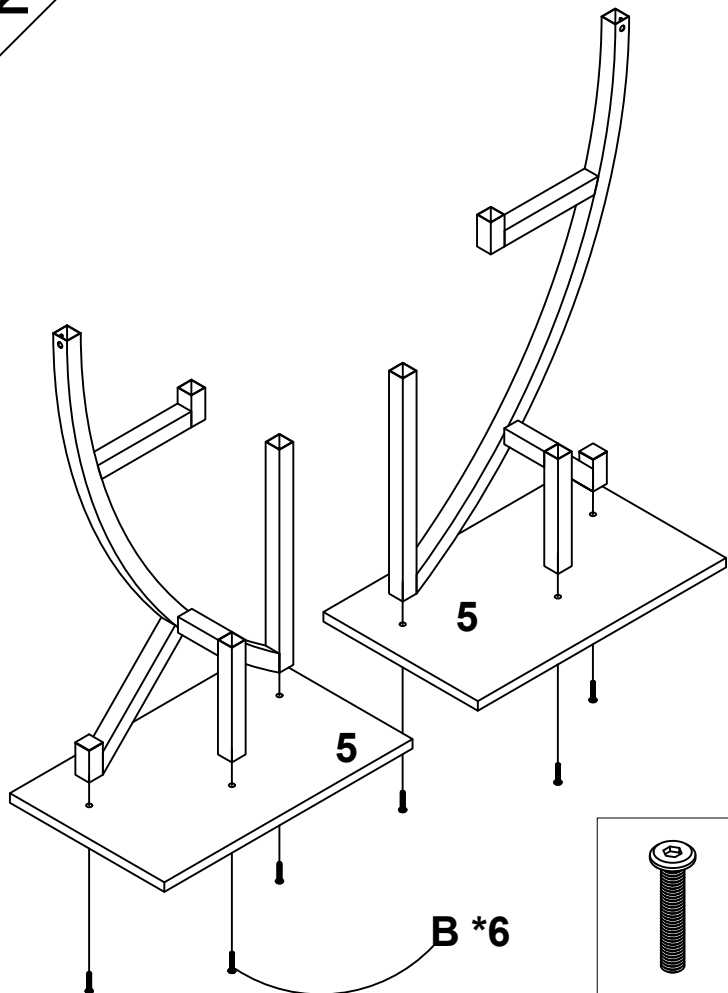


1



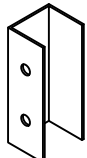
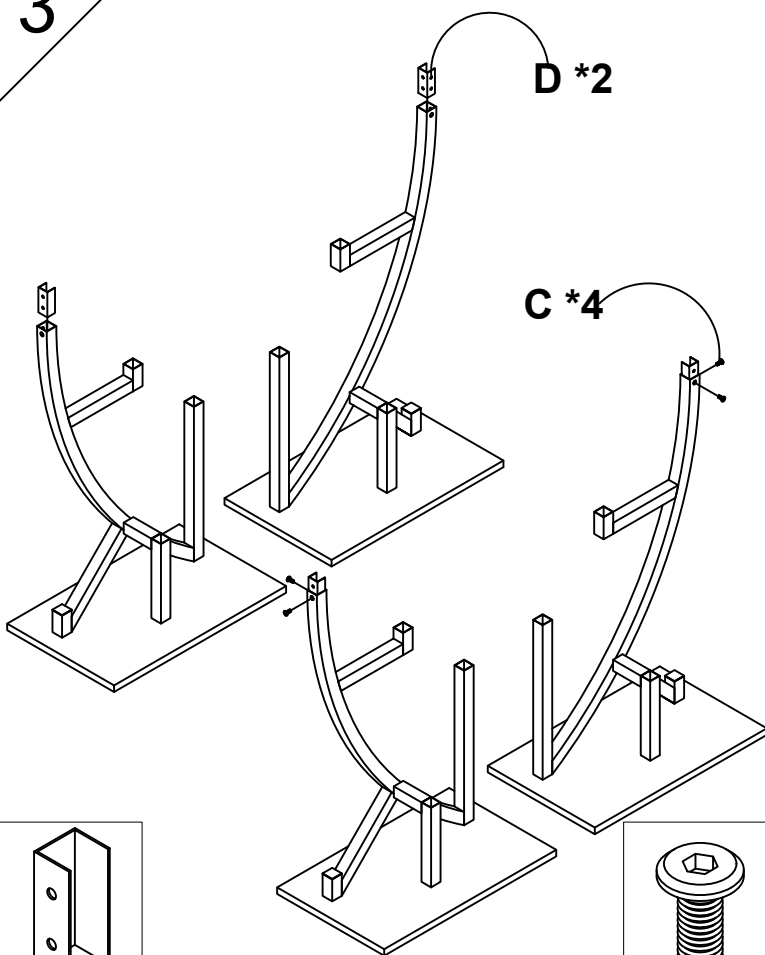
A*2

2

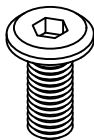


B*6

3

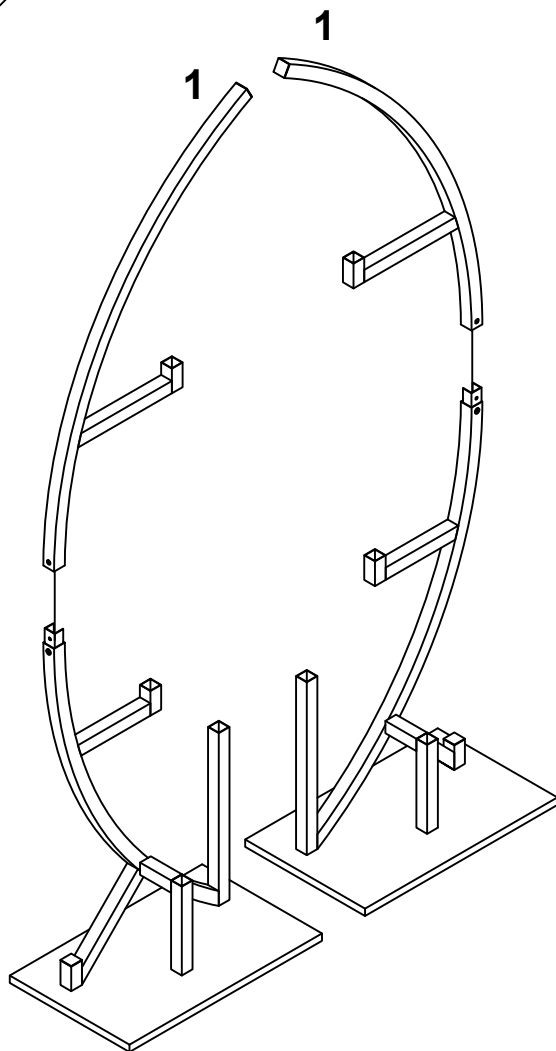


D*2

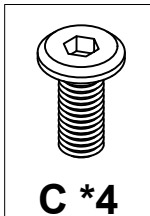
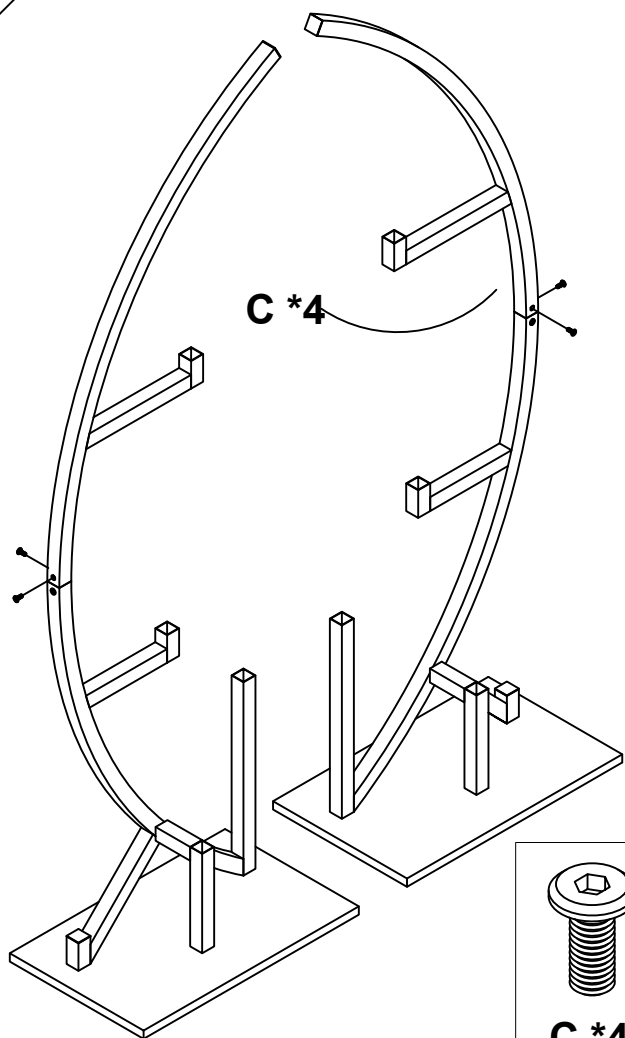


C*4

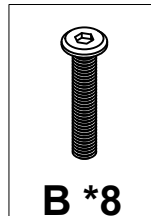
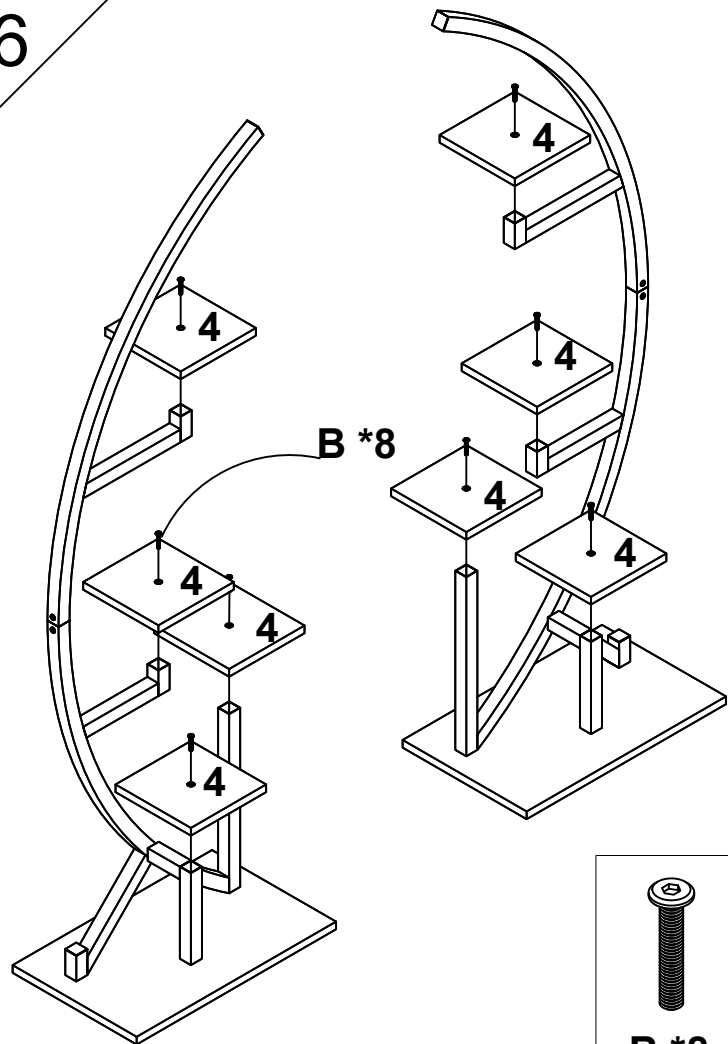
4



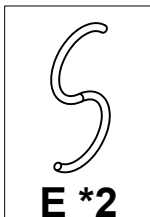
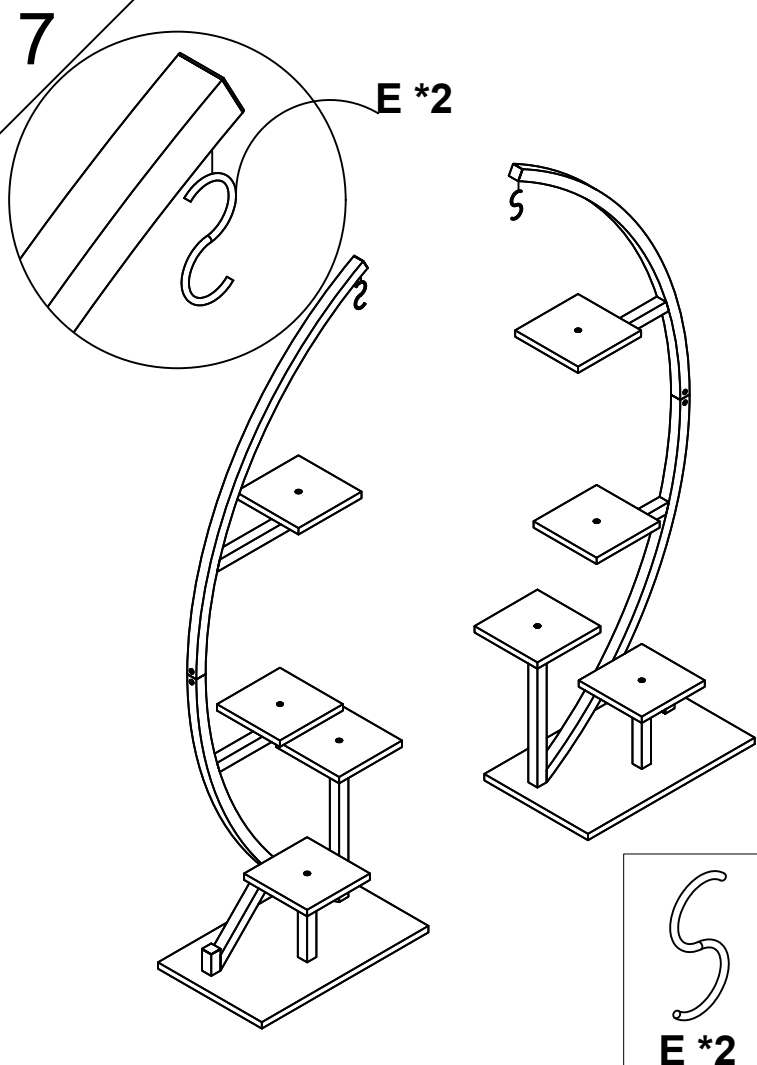
5



6



7



8

