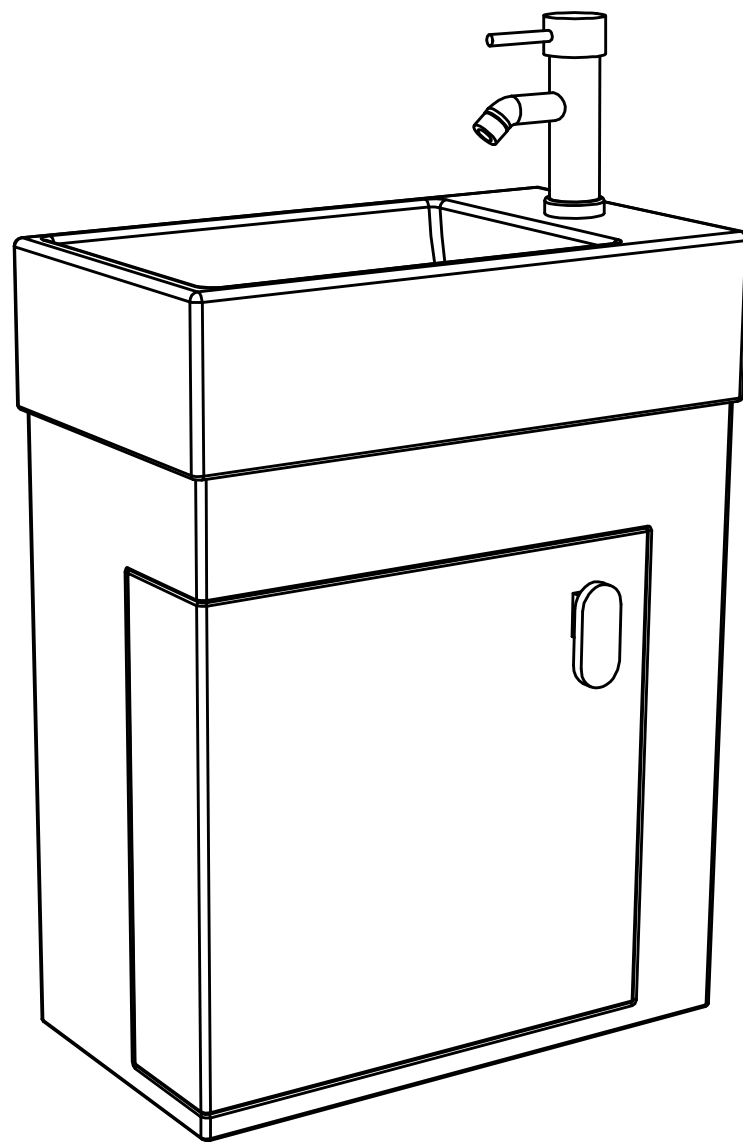
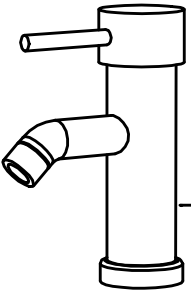




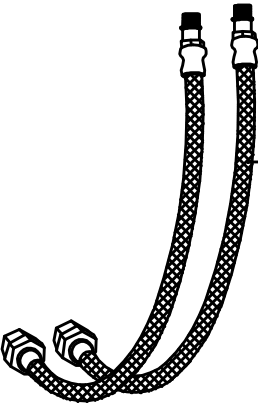
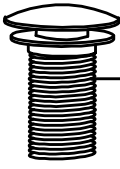




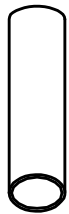


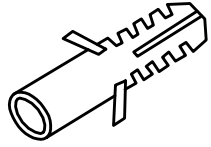
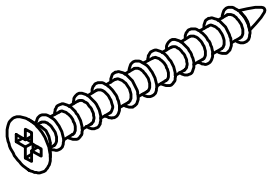


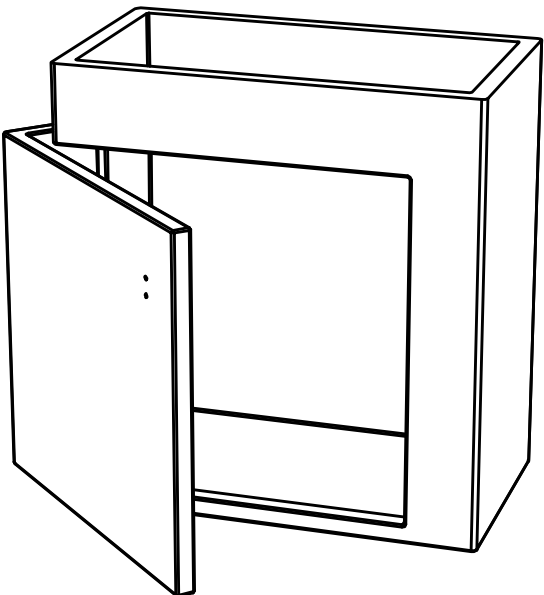
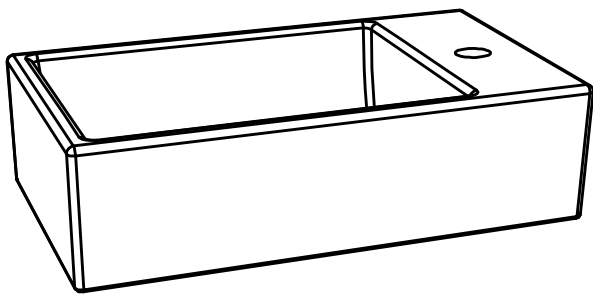


Bathroom Vanity



- 🌐 Website: <https://www.elecwish.com>
- ✉ Customer Service Email: aftersales@elecwish.com
- 📞 Customer Service Phone: #9519343021
- ⚠ Please don't worry about the after-sale service, you can contact us at any time for any issue.




Package list

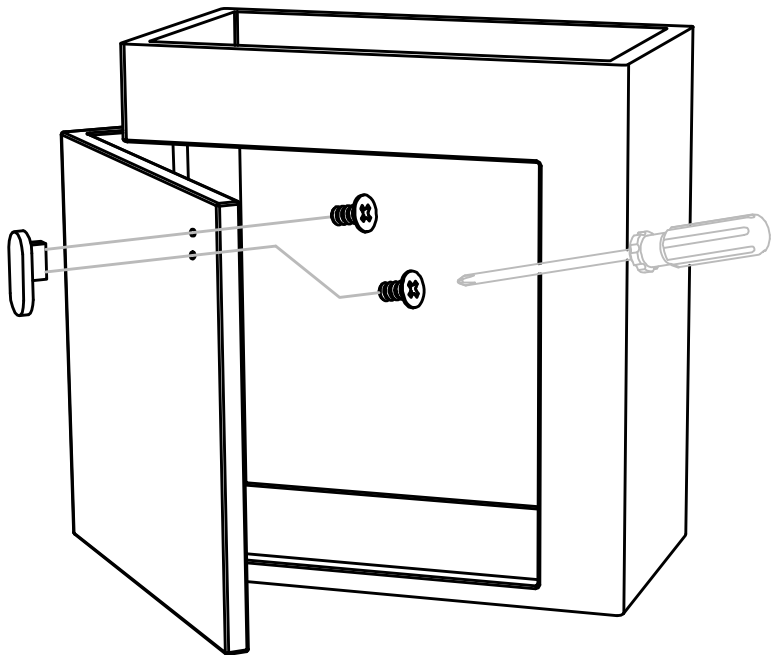
<p>A</p>  <p>A1 faucet</p>  <p>A2 rubber ring bed</p>  <p>A3 rubber plate</p>  <p>A4 horse shoe plate</p>  <p>A5 anchoring bolts</p>  <p>A6 water supply lines</p>	<p>B</p>  <p>B1 pop up drain(part A)</p>  <p>B2 rubber ring</p>  <p>B3 rubber ring</p>  <p>B4 gasket ring A</p>  <p>B4 gasket ring B</p>  <p>B5 pop up drain</p>	<p>C</p>  <p>adapter 1/2 to 3/8 x 2</p>  <p>adapter 1/2 to 9/16 x 2</p>	<p>D</p>  <p>2PCS</p>	<p>E</p>  <p>2PCS</p>	<p>F</p>  <p>1PCS</p>	<p>G</p>  <p>2PCS</p>
<p>H</p> 	<p>I</p> 					

Installation manual

step1

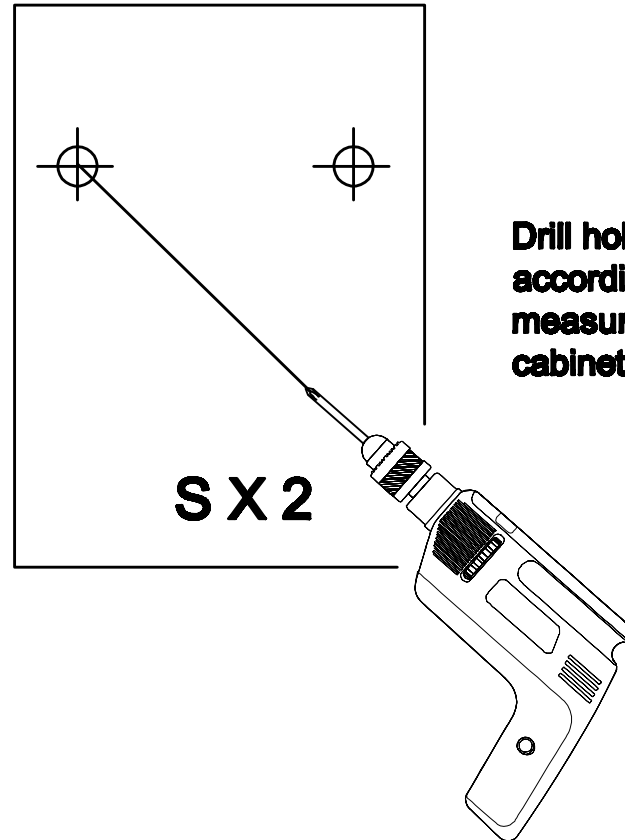
HARDWARE LIST

F		1PCS	
G		2PCS	



step2

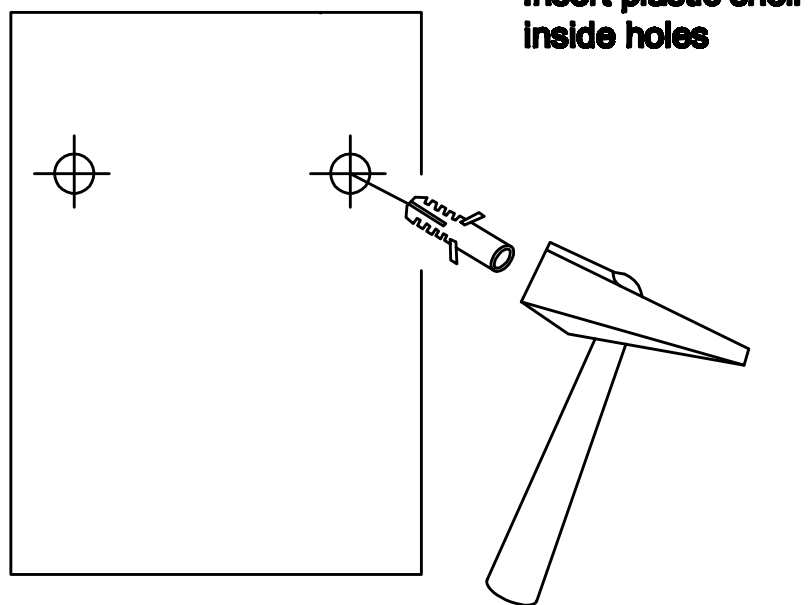
HARDWARE LIST



step3

HARDWARE LIST

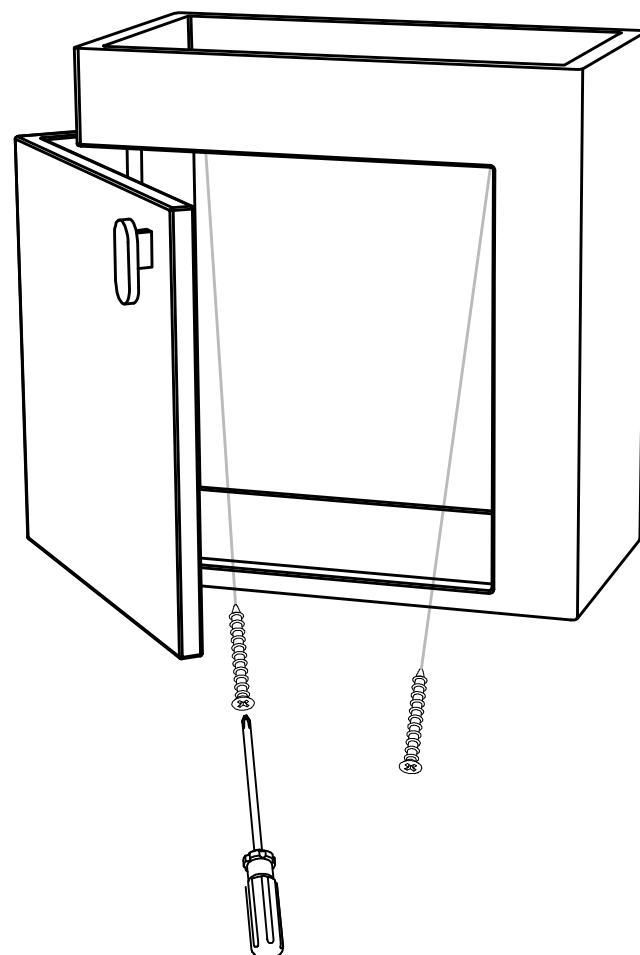
D		2PCS	



step4

HARDWARE LIST

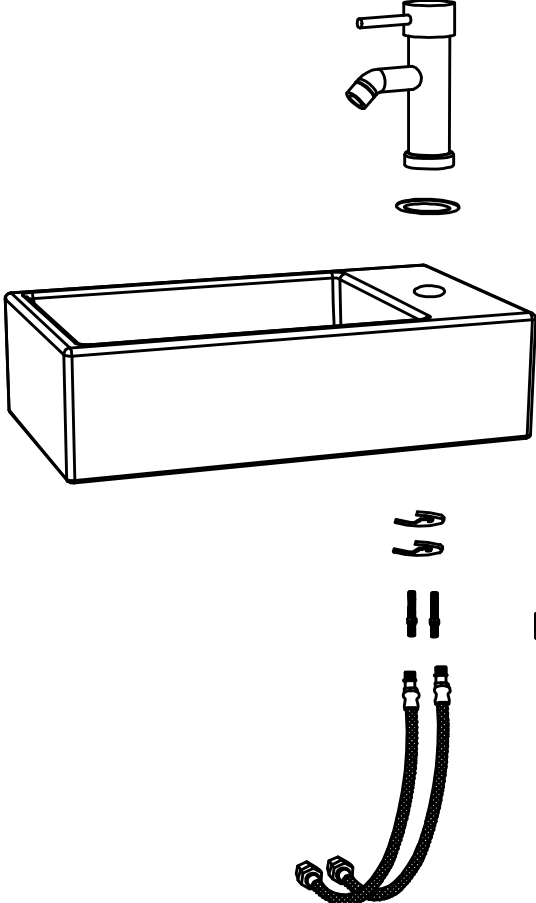
E		2PCS	



Installation manual

step5

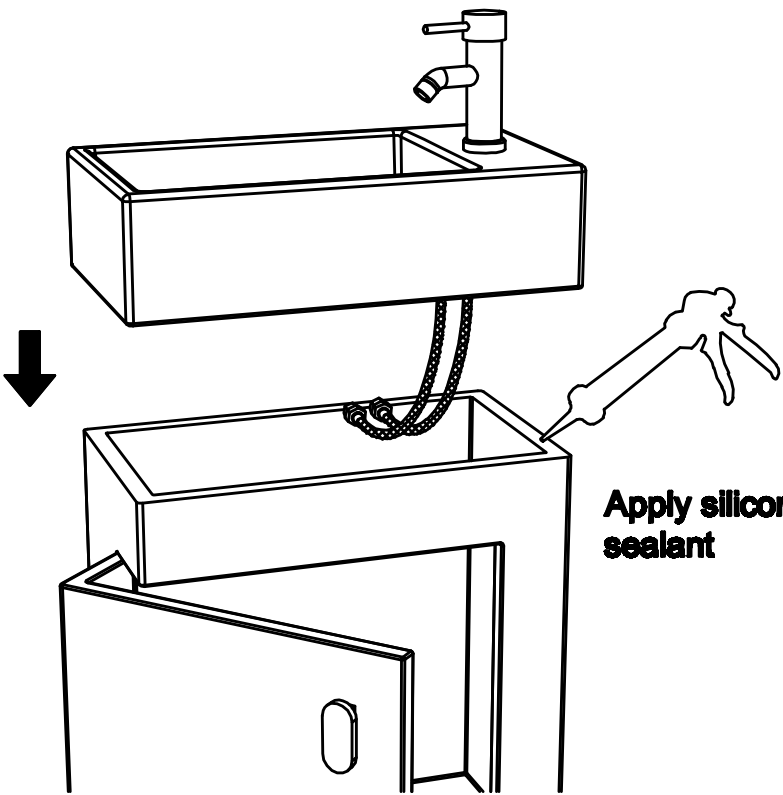
HARDWARE LIST	
A	
I	



Install faucet

step6

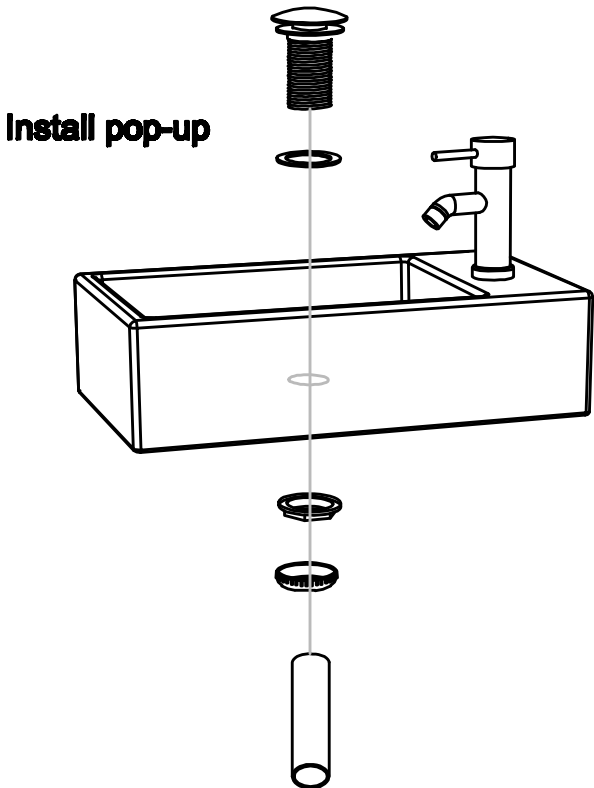
HARDWARE LIST	



Apply silicon sealant

step7

HARDWARE LIST	
B	



Install pop-up

step8

HARDWARE LIST	

